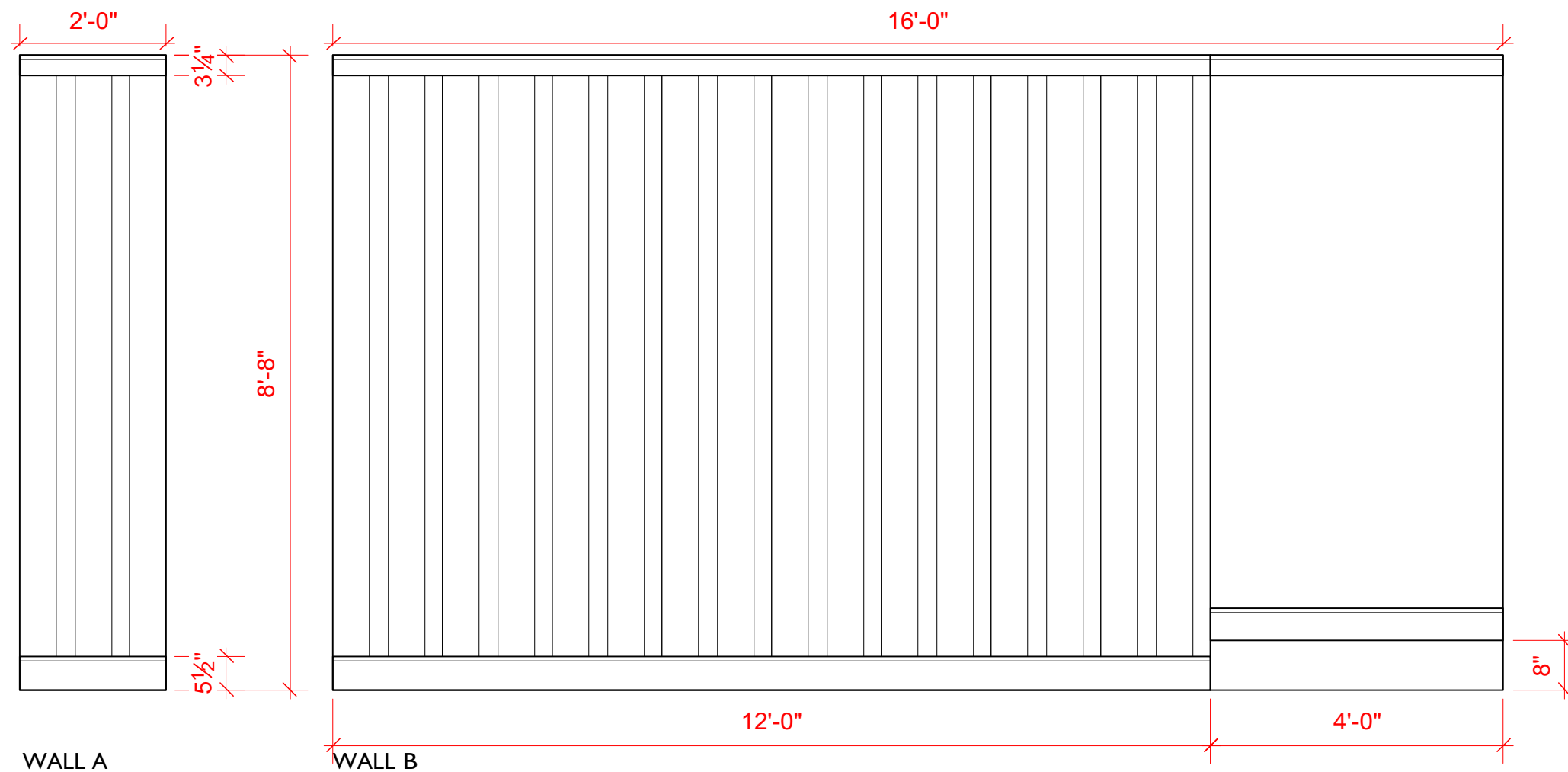


NOTES:

- Blue denotes scenery
- Black denotes furniture
- All Flats are drawn as Hollywood style except I and L which are Broadway Style
  - These are type flat are chosen specifically to fit with in the margin of error for the deck but are ultimately up to the TD's discretion.
- Please discuss railings with set designer
- Thin lines on wall denote suggested area for flat breaks but are up to discretion of TD

# Borrowed Babies

Shop GP	Date : 12.3.19
HPU Theatre-The Empty Space	Scale : 1/4"=1'-0"
Director : Doug Brown	<b>1</b> OF <b>7</b>
Designer : VSK	
Revisions :	



NOTES-

- All of Wall A and 12' of wall B are covered in Paneling
- Both flats have 5.5" baseboard and 3.25" crown molding
  - These molding sizes are chosen to cover non-panel-faced parts of the flat.
  - Actual molding size can vary if alternate solution for paneling is found.
  - Please discuss molding choice with designer before attaching.
- The non panel covered section of Wall B can be a separate flat
- Wall B non-paneled section has baseboard height of 8" to compensate for the deck
  - If this flat will be set on the deck instead, the flat will be 8'-0" tall and will have baseboard touching the bottom edge like the other flats
- Wall A is meant to face the front of the architectural column in the space and should overlap wall B at the corner.

A/B FRT-Walls A&B  
Scale: 1/2" = 1'-0"

# Borrowed Babies

ELV-Walls A&B

Date : 12/3/19

HPU Theatre-The Empty Space

Scale : 1/2"= 1'-0"

Director : Doug Brown

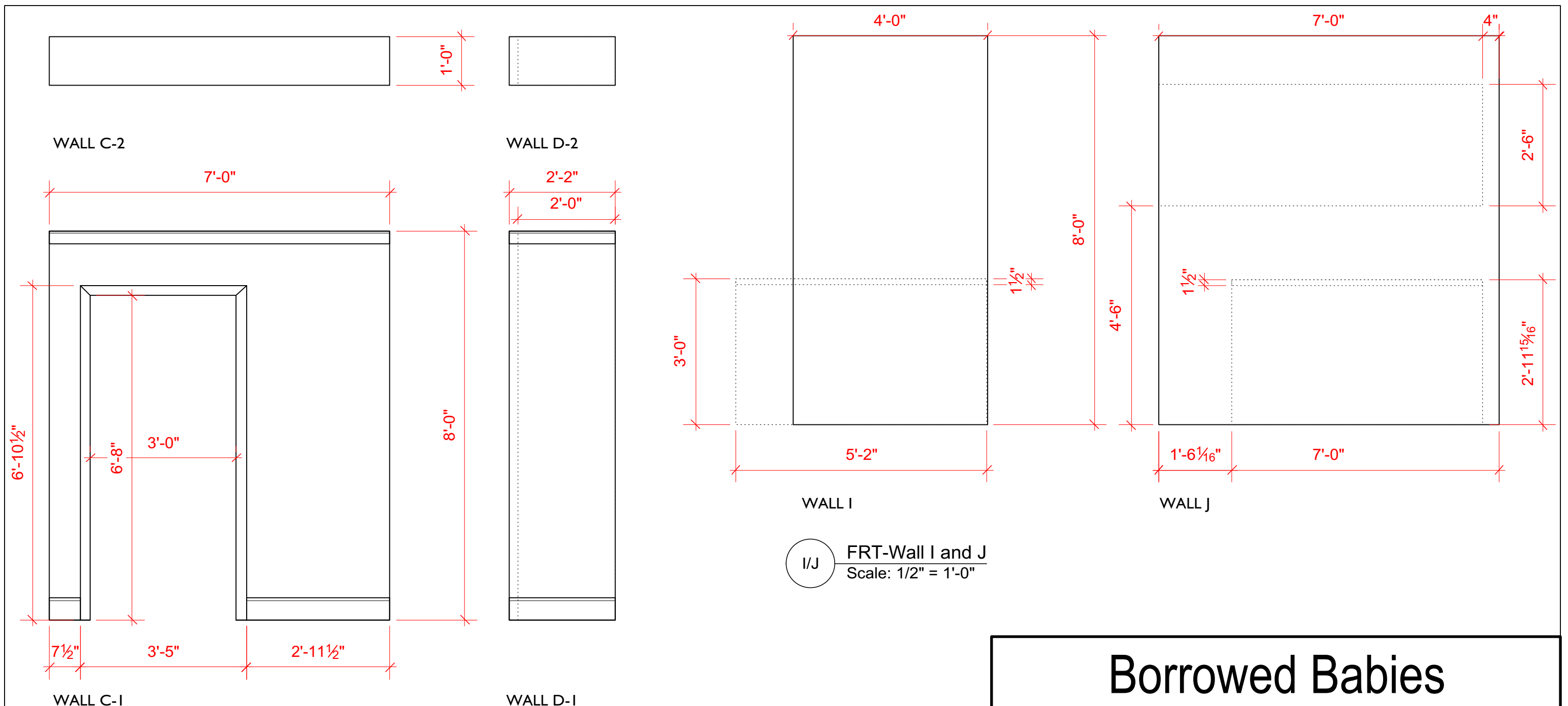
Designer : VSK

Revisions :

2

OF

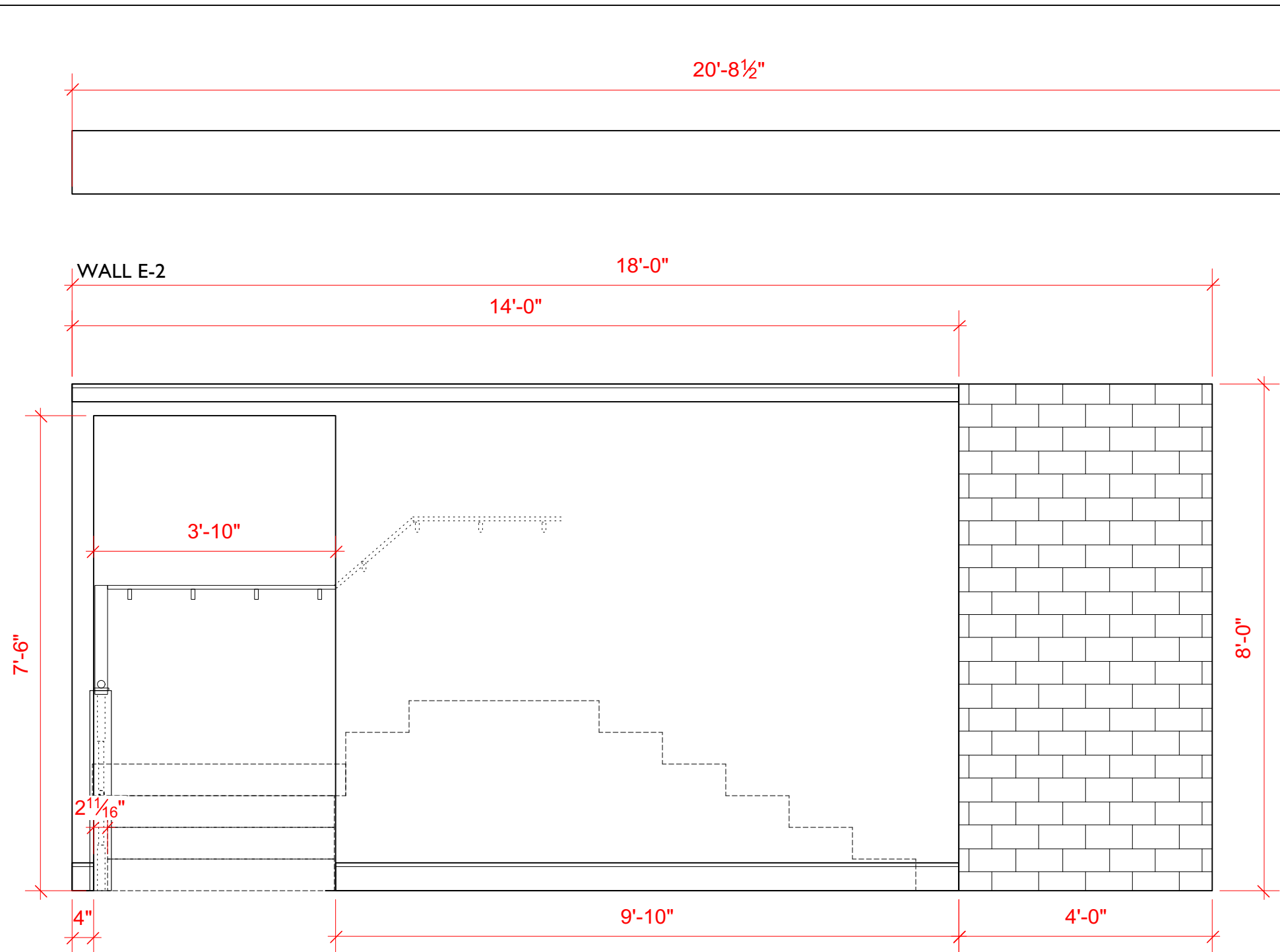
7



**C/D** FRT-Walls Cs & Ds  
Scale: 1/2" = 1'-0"

- NOTES:**
- Wall C-2 and D-2 are both painted black and attached to the top of the flats
  - Wall D-2 could be lauan top overhang on Flat D-1 if that is easier
  - Door molding is drawn as 1x3 with beveled tops but can be discussed if alternative is needed
  - Kitchen Cabinets on Walls I and J can just be boxes and be painted to look like Cabinets.  
-Please see Vandy for ideas about texture.
  - Walls I and J will be "wallpapered"

<h1>Borrowed Babies</h1>	
ELV-Walls C1,C2,D1,D2,I and J	Date : 12/3/19
HPU Theatre-The Empty Space	Scale : 1/2"= 1'-0"
Director : Doug Brown	<h1>3</h1> OF <h1>7</h1>
Designer : VSK	
Revisions :	



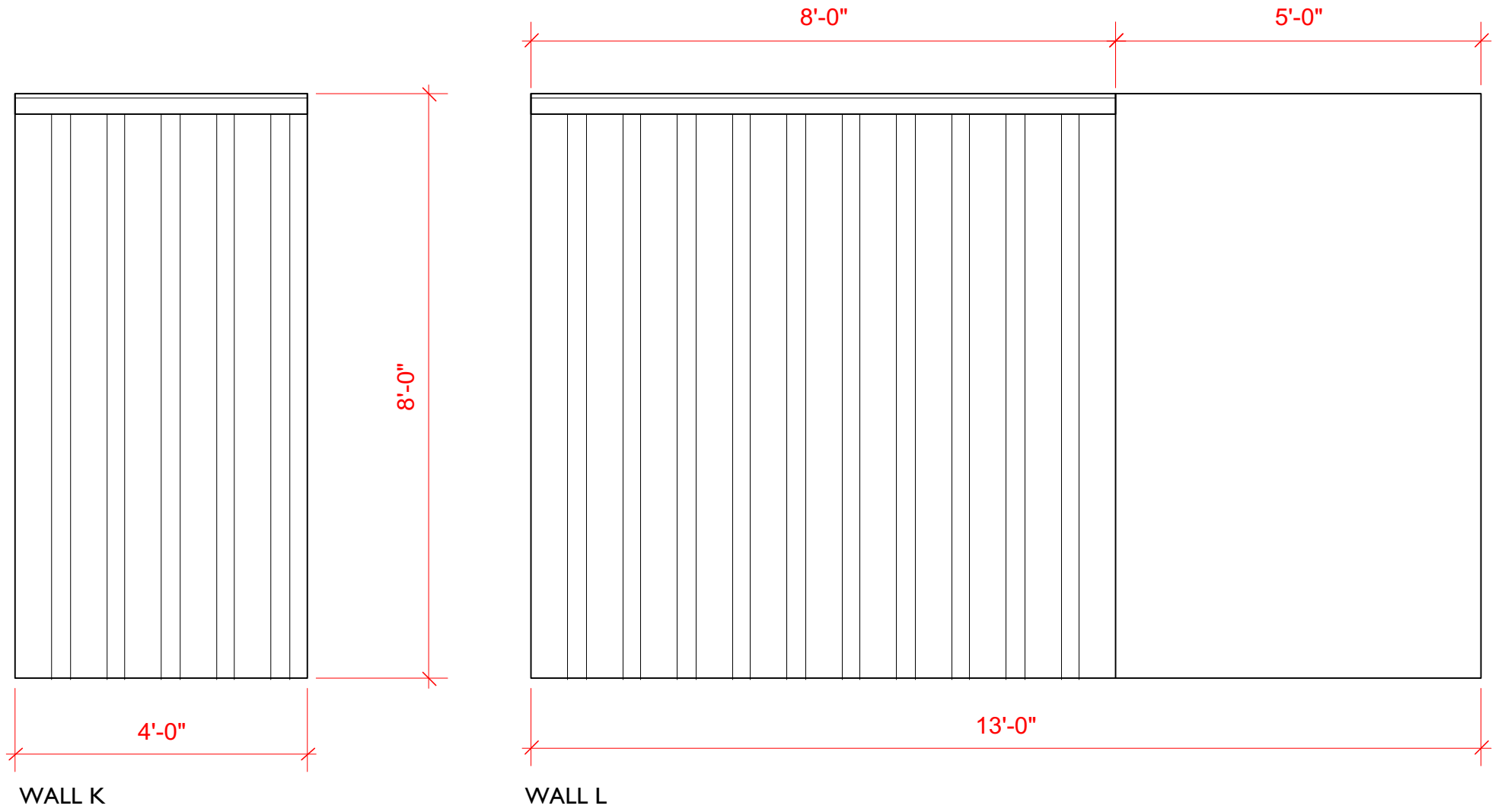
NOTES:

- Please discuss Railing with Set Designer
- First 14'-0" of Wall E-1 is lauan covered, last 4' is covered in brick
- No molding around door and no baseboard or crown on Brick portion
- Wall E-2 extends past E-1 to mask the rest of stage left.
- Wall E-2 is painted black
- Please note that the stairs are 2 11/16" from the stage right side of the opening to accommodate the railing
- Railing size and actual positions of stairs can be discussed with set designer

<h1>Borrowed Babies</h1>	
ELV- Walls E-1, E-2	Date : 12/3/19
HPU Theatre-The Empty Space	Scale : 1/2" = 1'-0"
Director : Doug Brown	<h1>4</h1> OF <h1>7</h1>
Designer : VSK	
Revisions :	

WALL E-1

Walls E-1 & E-2  
Scale: 1/2" = 1'-0"

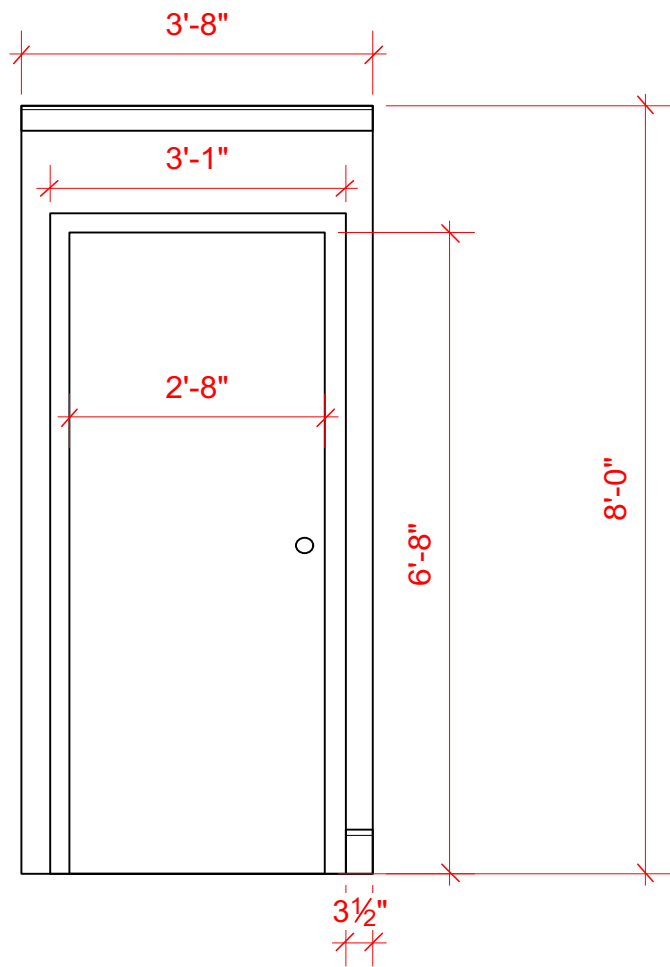


NOTES:

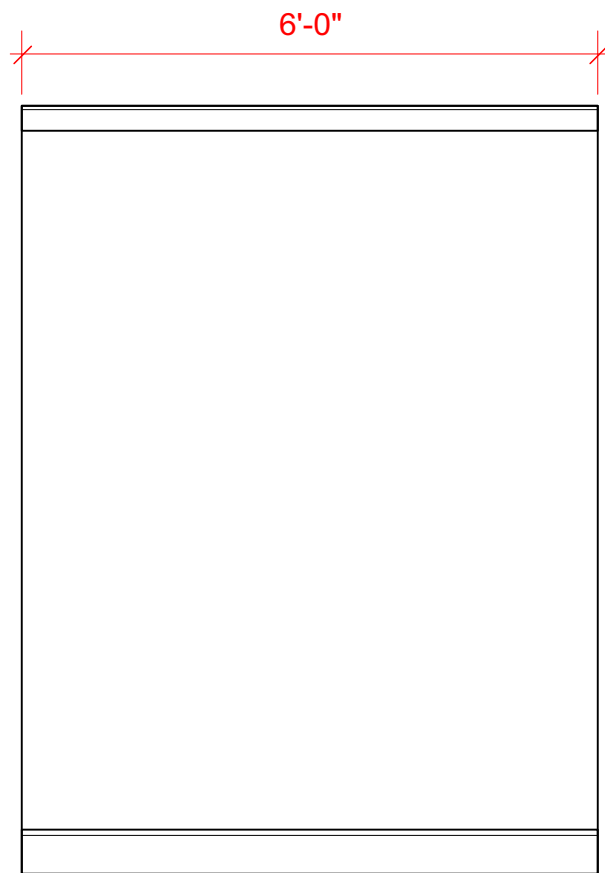
- Wall K and Wall L do not need Baseboard
- Wall K and first 8'-0" of wall L are covered in Paneling
- Wall L's last 5'-0" will be black and can be covered in anything and can be separate flat

K/L FRT- Wall K & L  
Scale: 1/2" = 1'-0"

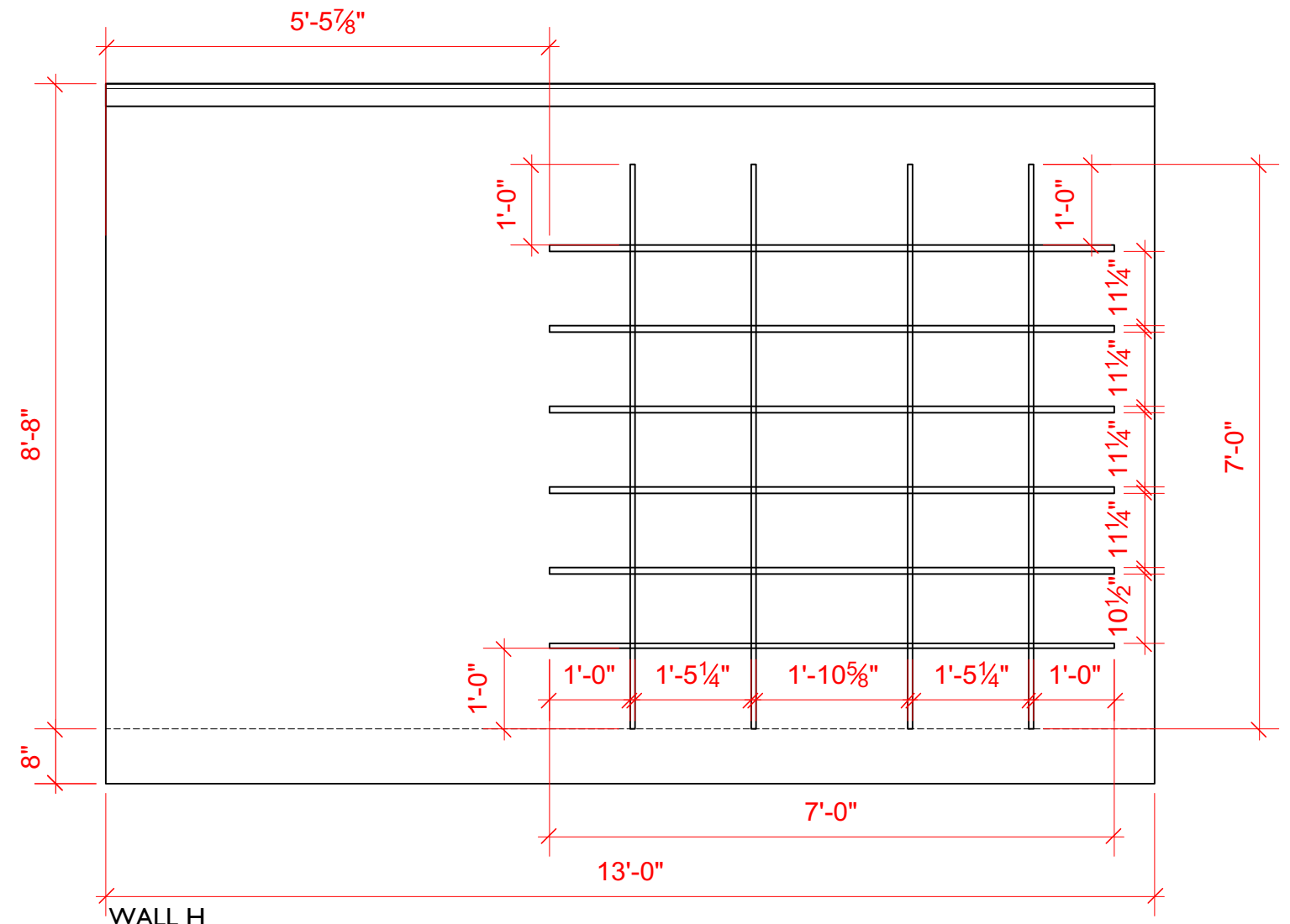
<h1>Borrowed Babies</h1>	
Wall K&L	Date : 12/3/19
HPU Theatre-The Empty Space	Scale : 1/2"= 1'-0"
Director : Doug Brown	<b>5</b> OF <b>7</b>
Designer : VSK	
Revisions :	



WALL F



WALL G



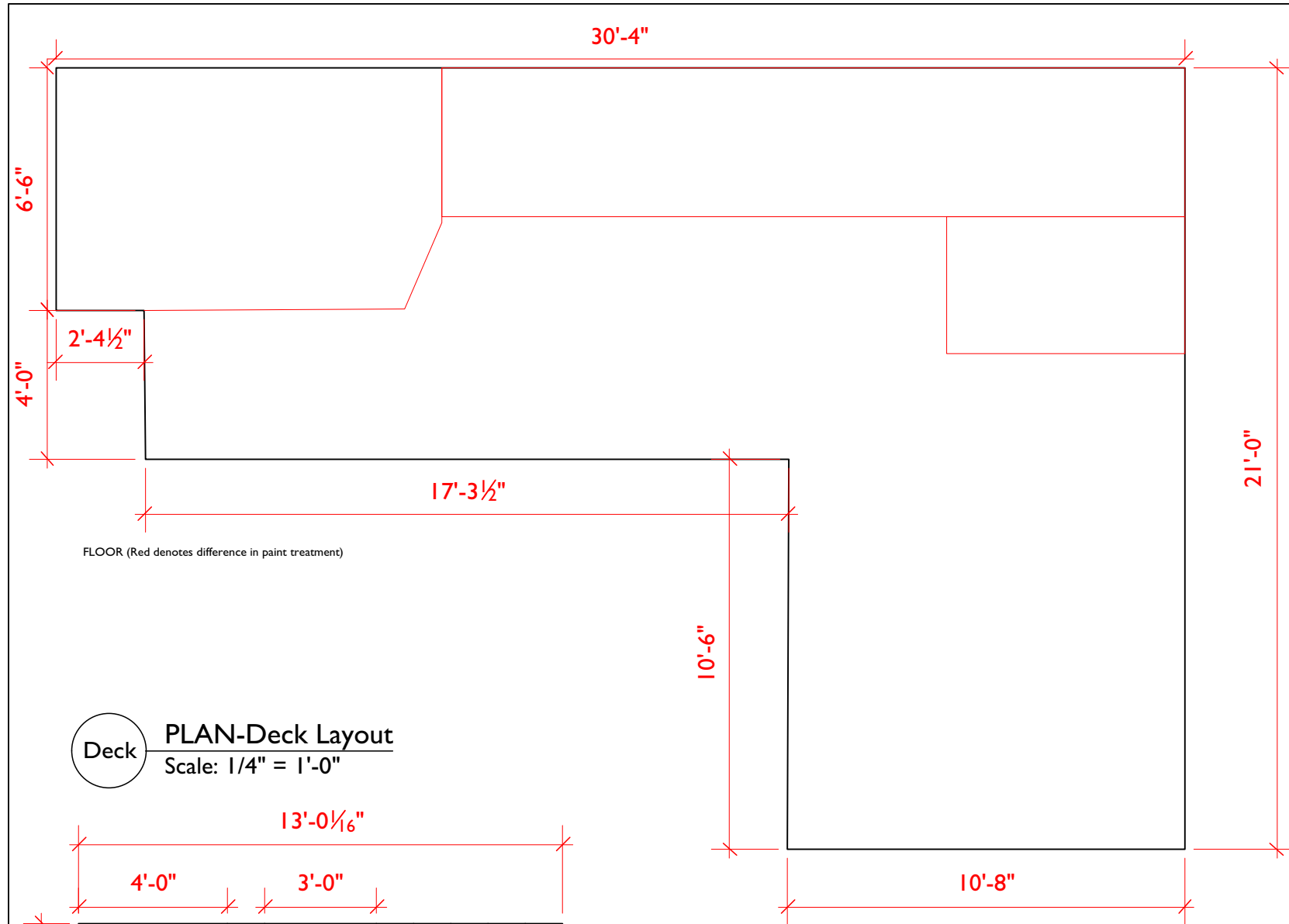
WALL H

1 FRT-Walls F,G and H  
Scale: 1/2" = 1'-0"

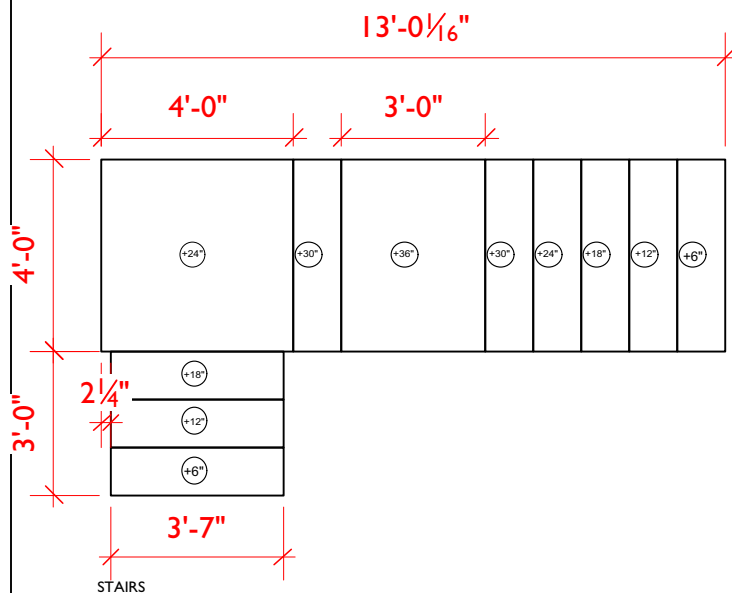
NOTES:

- Door currently is drawn as stock but please wait until further discussion with designer and director before installing
- Wall H is drawn on ground plan on stage floor, not on deck. Because of this, the bookcase is drawn 8" above floor in order to sit on deck
- Wall H wall construction is ultimately left to TD's discretion but bookcase should sit on ground level in either case
- No Baseboard Molding on wall H
- No baseboard on upstage side of Wall F but should be on downstage side to match with Wall G
- Bookcase is 7'-0" x 7'-0" overall.
- Please discuss bookcase before building/drafting CNC

<h1>Borrowed Babies</h1>	
ELV- Walls F,G, and H	Date : 12/3/19
HPU Theatre-The Empty Space	Scale : 1/2"= 1'-0"
Director : Doug Brown	<h1>6</h1> OF <h1>7</h1>
Designer : VSK	
Revisions :	

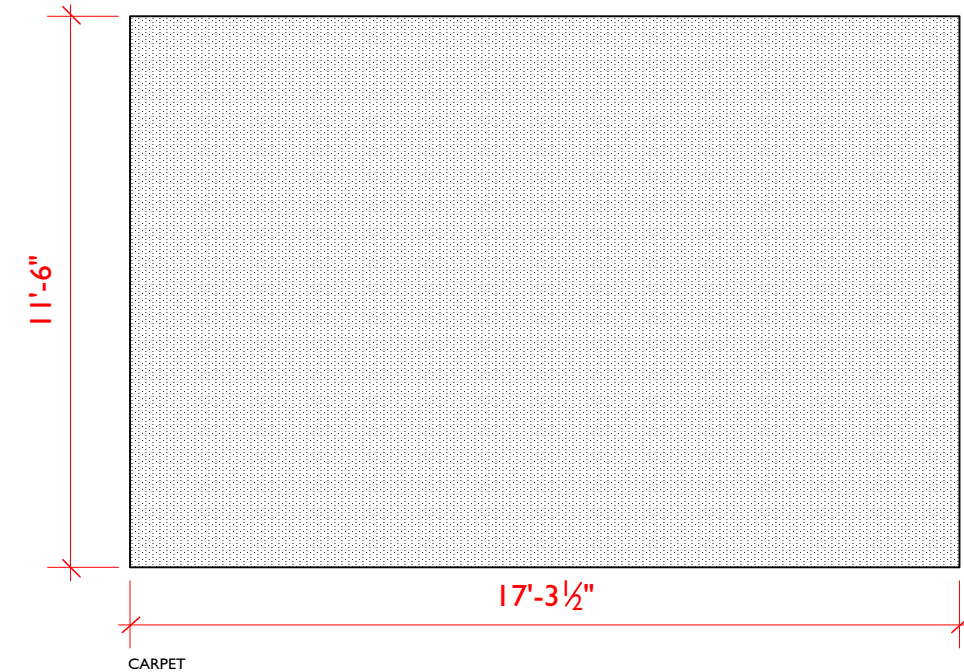


Deck **PLAN-Deck Layout**  
Scale: 1/4" = 1'-0"



STR **PLAN- Stairs**  
Scale: 1/4" = 1'-0"

- NOTES:
- Red on Deck Layout denotes change in paint treatment
  - Downstage side of decking should be faced
  - Carpet section in attached directly to stage floor and can be made with peices of same style
  - Stairs are drawn as 6" rise and 12" run
  - After 3'x4' mid staircase platform, stairs do not have to continue 12" run but should continue 6" rise



PLAN- Carpet  
Scale: 1/4" = 1'-0"

# Borrowed Babies

Deck Layout	Date : 12/3/19
HPU Theatre-The Empty Space	Scale : 1/4"= 1'-0"
Director : Doug Brown	7 OF 7
Designer : VSK	
Revisions :	