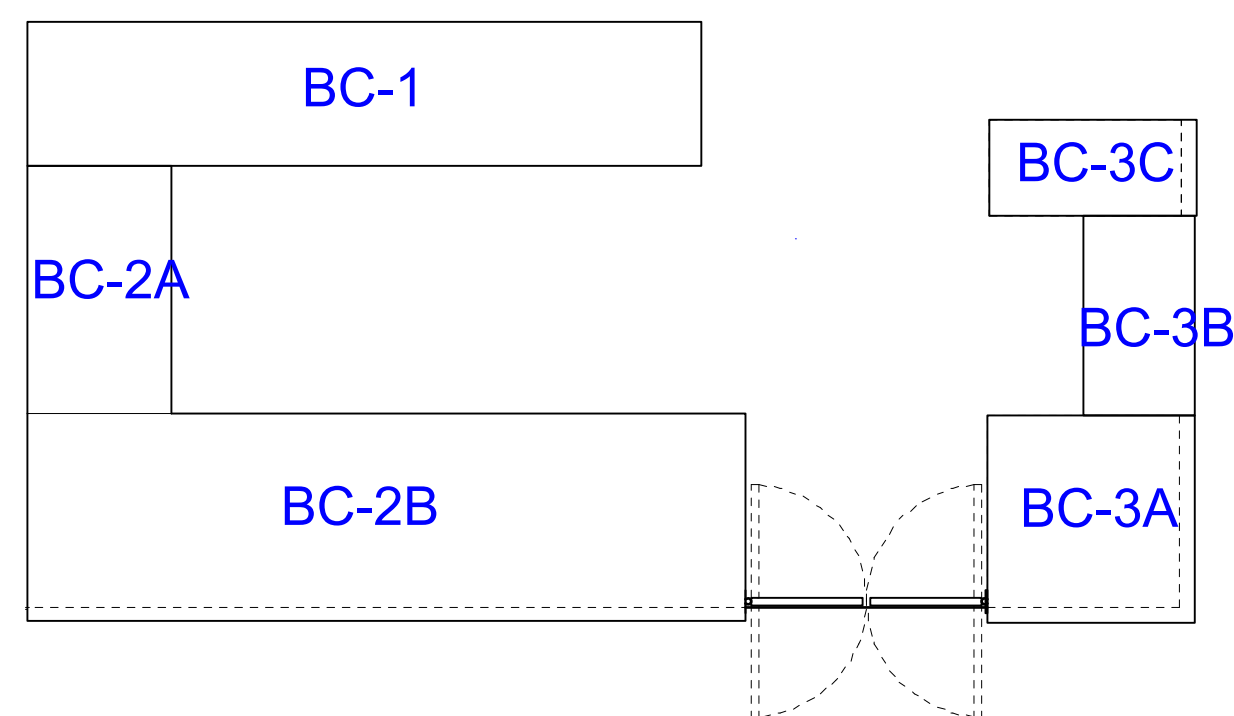
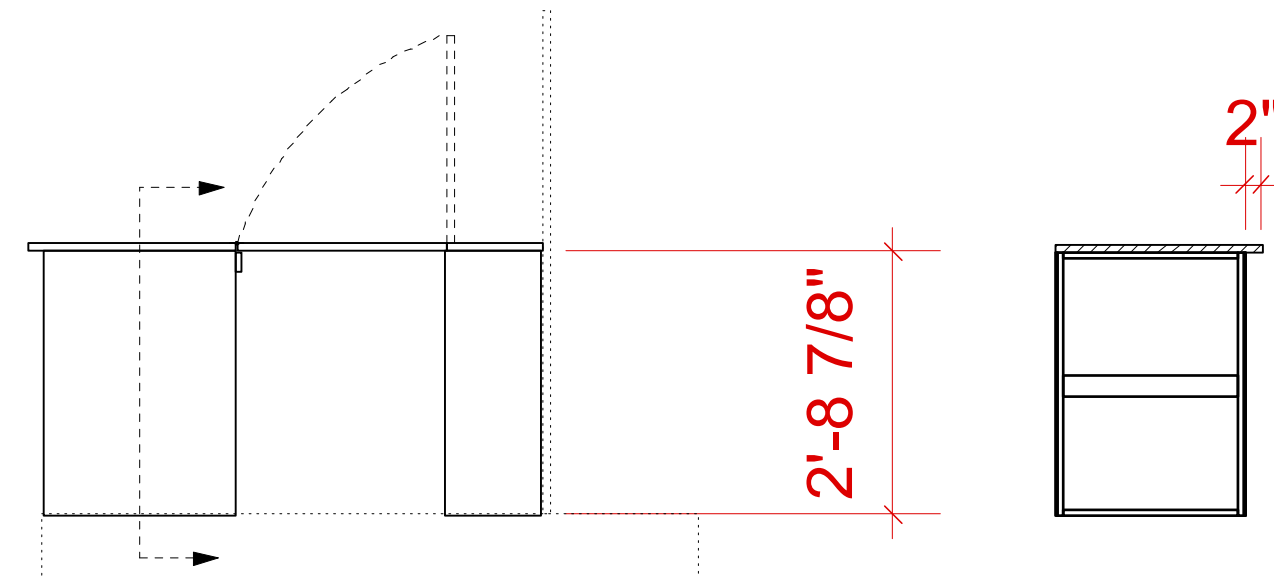


BAR CABINET PLAN VIEW-(All)

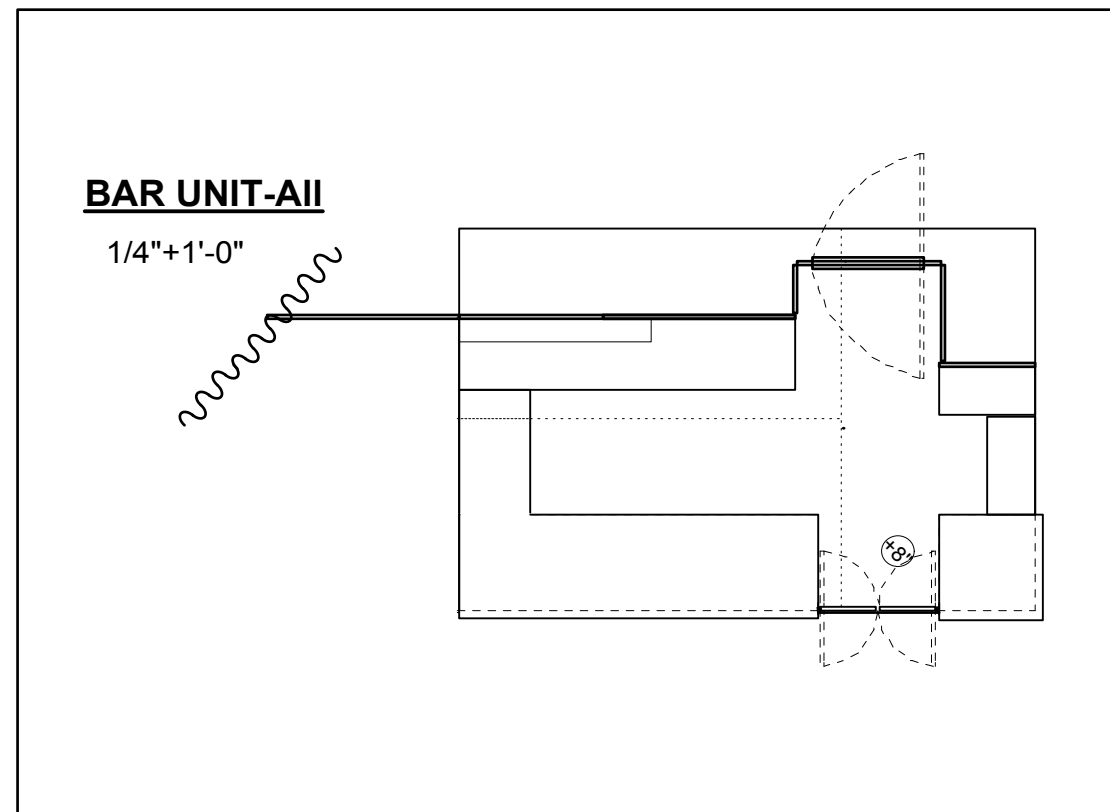


BAR CABINET 3 (BC-3A, BC-3B, BC-3C)

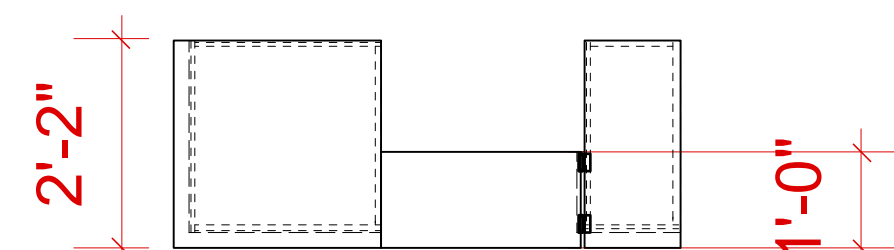
BC-3 Front View



BC-3A & 3C Side Section

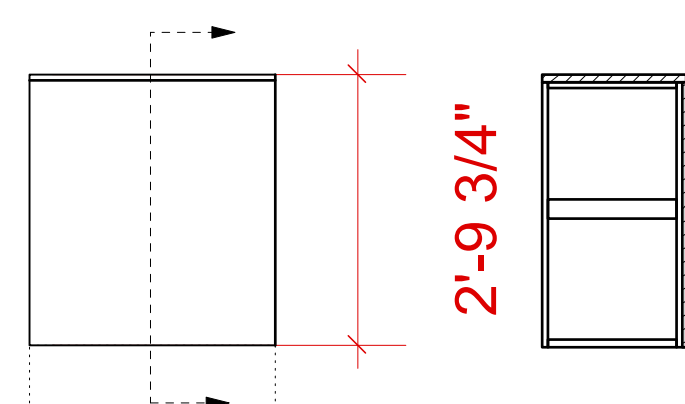


BC-3 Plan View



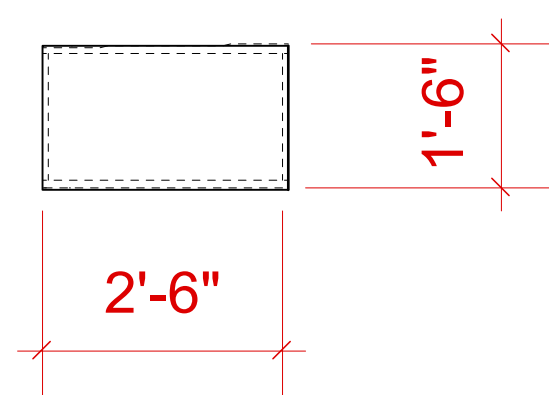
BAR CABINET 2A (BC-2A)

BC-2A Front View



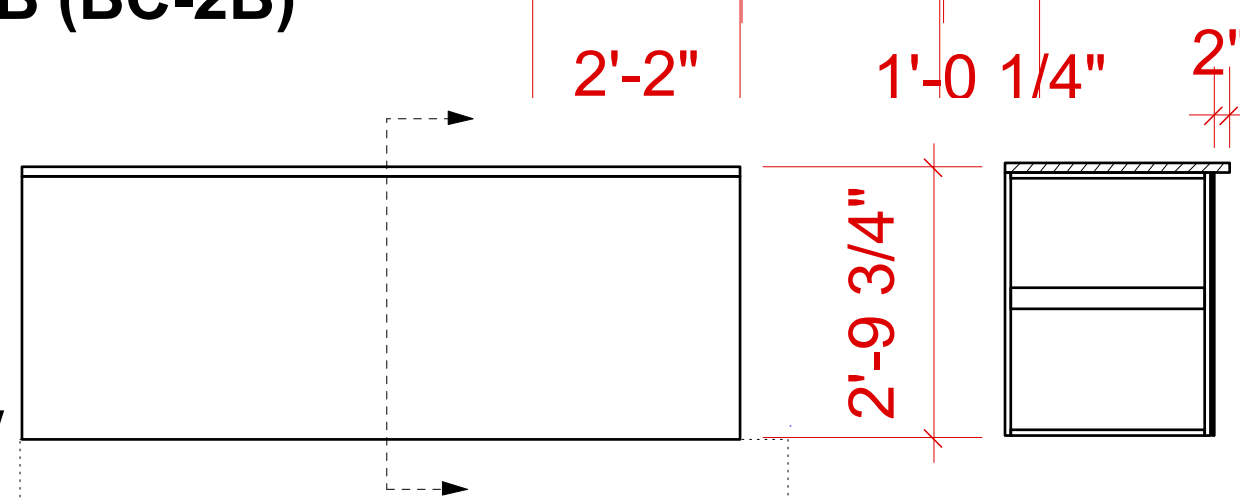
BC-2A Side Section

BC-2A Plan View



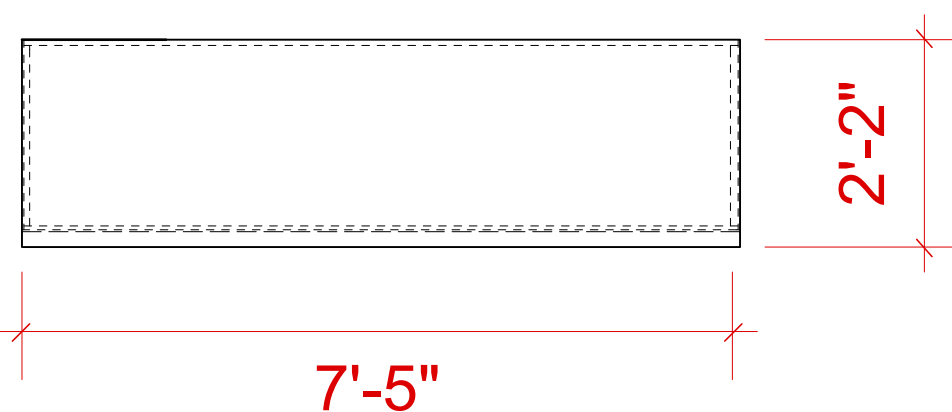
BAR CABINET 2B (BC-2B)

BC-2B Front View



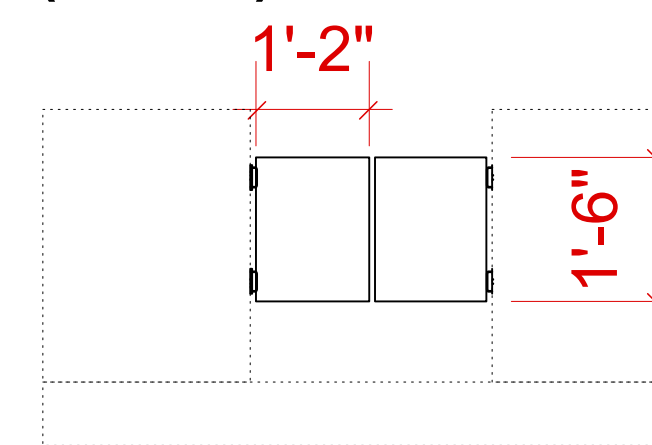
BC-2B Side Section

BC-2B Plan View

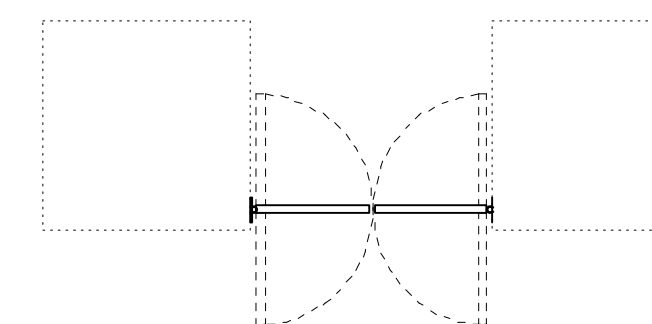


BAR CABINET 2C (BC-2C)

BC-2C Front View

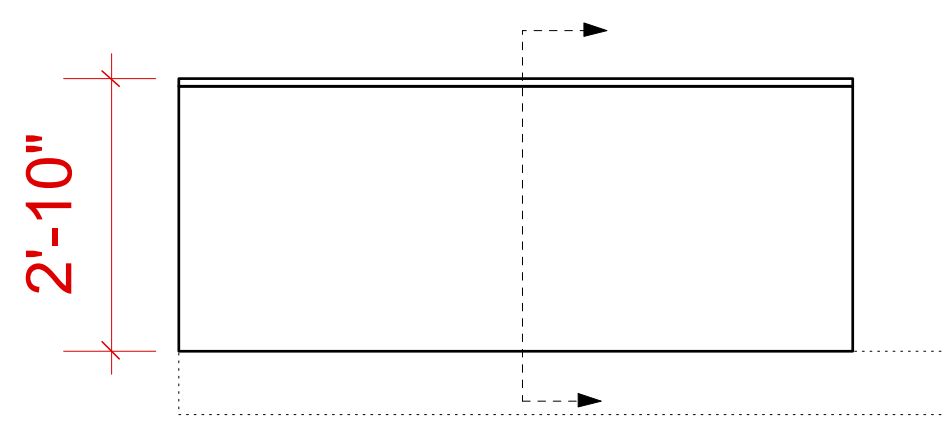


BC-2C Plan View



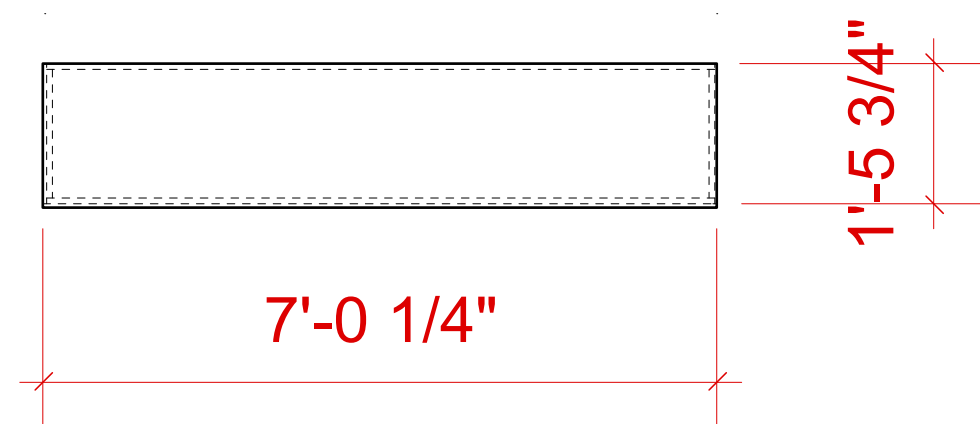
BAR CABINET 1 (BC-1)

BC-1 Front View



BC-1 Side Section

BC-1 Plan View



NOTES:

- The bar height is 2'-9 3/4"
- There can be a 3/4" or 1" counter top. If made of plywood, needs to be relitvly nice
- all cabinets can be hollow and only covered on side visible to audiance.
- BC-2B has a 2" overhang on the downstage side.
- BC-3 has a 2" overhang on the downstage and stage right side.
- BC-2C are double swinging doors.
- BC-3 has a hinged piece that will hinge up and down . There will be a lip on the upstage part of the unit for the hinged peice to rest.
- The cabinet will all be painted to look like wood. If raw luan or nice ply is used the units will not be painted but "stained" with a wash.