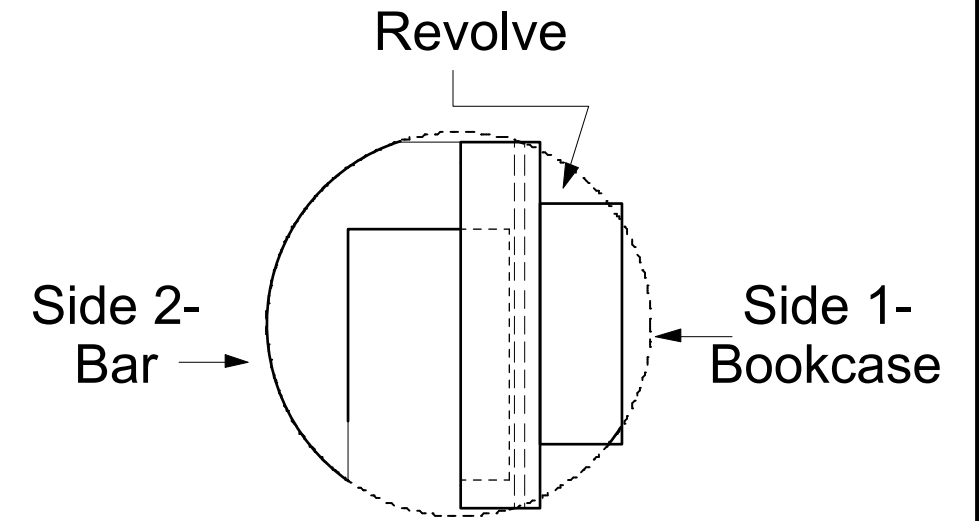
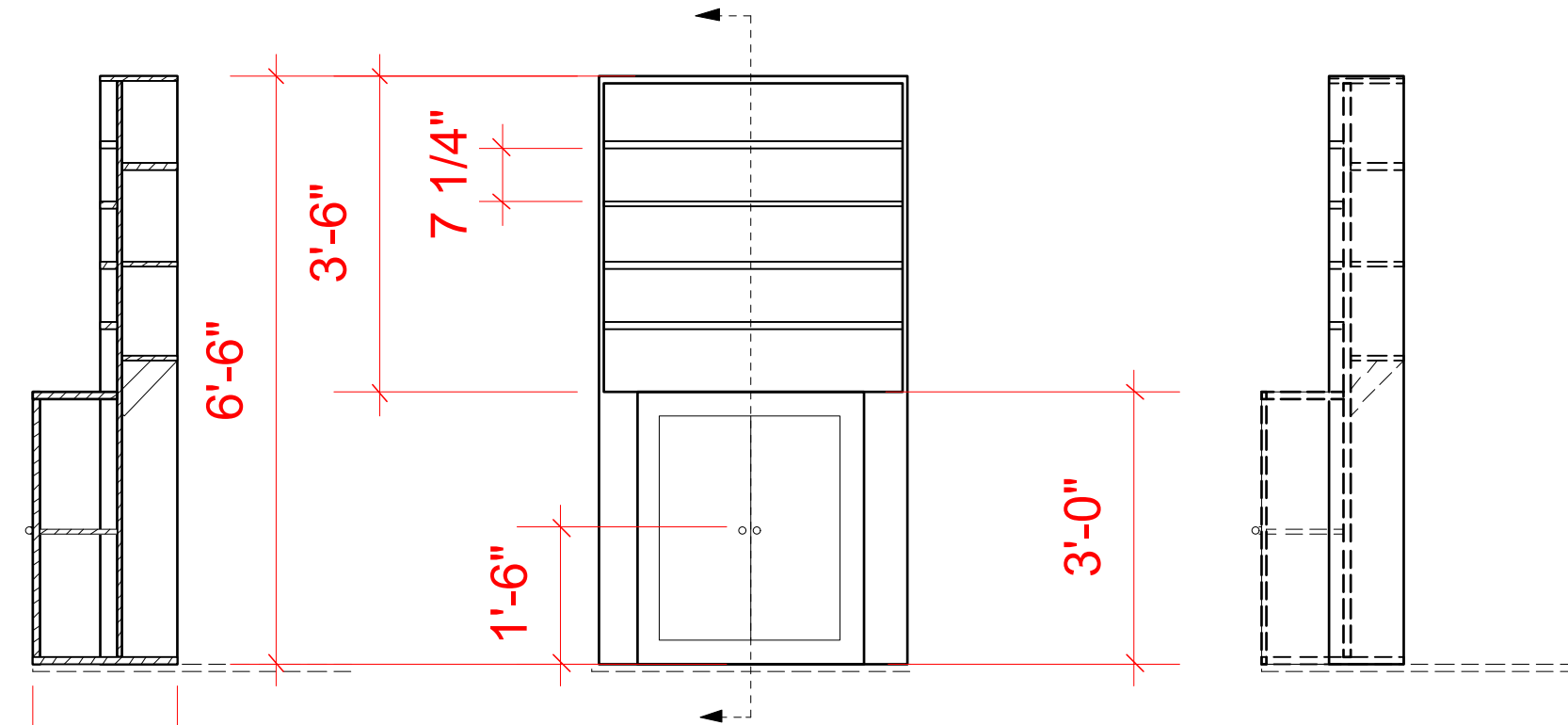


Revolving Unit



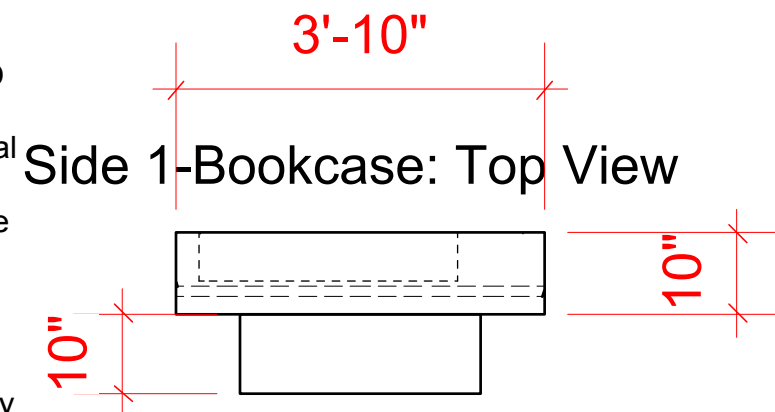
Side 2-Bar: Section View

Side 2-Bar: Front View

Side 2-Bar: Side View

NOTES:

- Doors pictured on front view are non-operational and can be painted on. Would like 3D knobs.
- All material dimensions are suggestions. Actual sizes up to T.D.'s discretion.
- Shelf spacing is a rough estimate. Can change with "book" size or unit stability needs.
- Whole unit dimensions can be altered to fit better on revolve built. Please discuss any changes with designer.
- Bookcase side of unit it meant as a facade only and books are to be painted or printed on.
- Bottom of Bar side bookcase is cut out for more actor room



Side 1-Bookcase: Top View

A Game's Afoot

Pella Opera House-Central College

DIR: Mary Jo Sodd

DES: Mary Jo Sodd

DRAW: ELV: Revolve unit- Book

DRW BY: Vandy Scoates

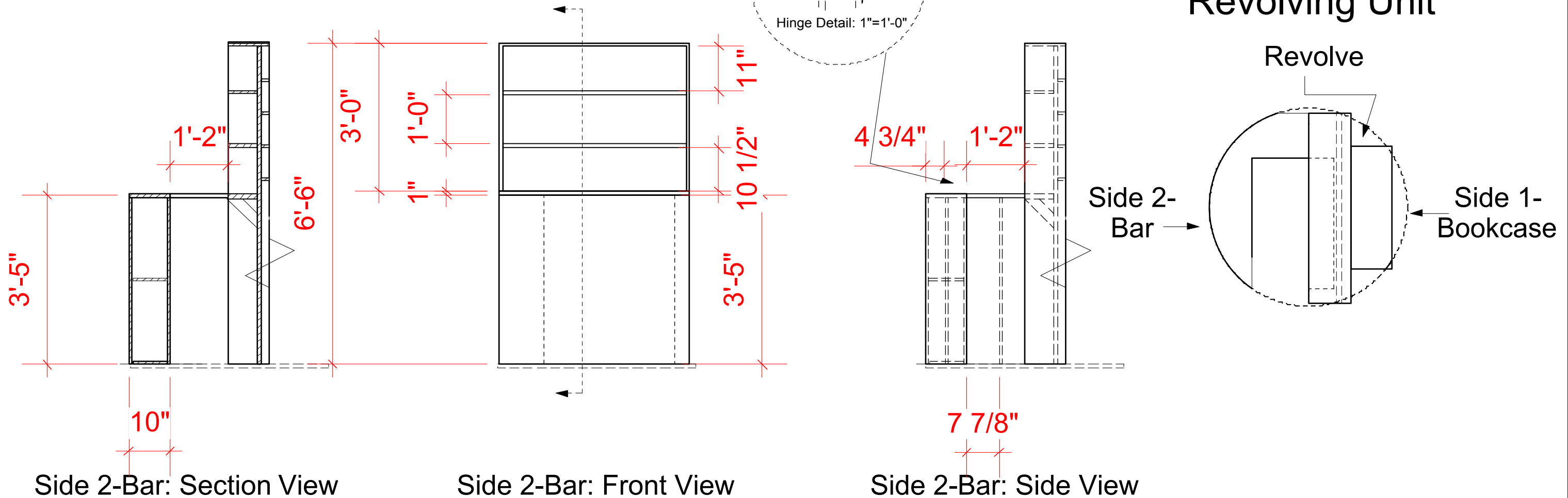
SCALE: 1/2"=1'0"

DATE: 9/7/14

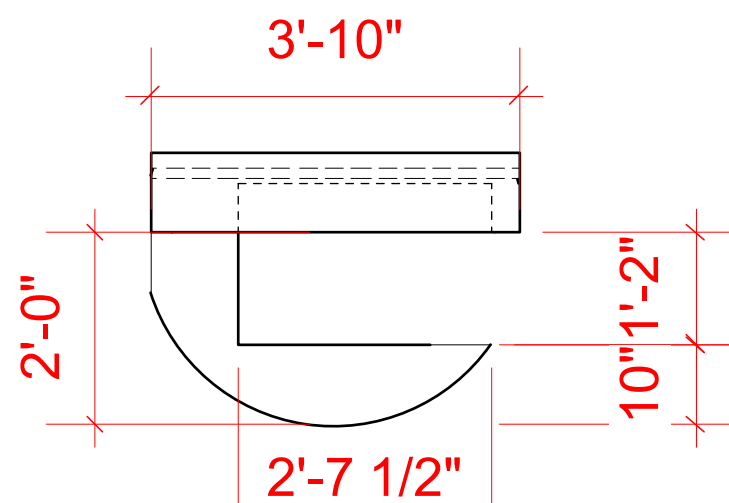
8

of 9

Revolving Unit



- NOTES:
- All detail on bar to be painted.
 - All material dimensions are suggestions. Actual sizes up to T.D.'s discretion.
 - Shelf spacing is a rough estimate. Can change with "bottle" size or unit stability needs.
 - Whole unit dimensions can be altered to fit better on revolve built. Please discuss any changes with designer.
 - Bookcase side of unit it meant as a facade only and books are to be painted or printed on. Bar dressing can be practical not depending on stock.
 - Bottom of Bar side bookcase is cut out for more actor room



Side 2-Bar: Top View

<h2>A Game's Afoot</h2>	
Pella Opera House-Central College	
DIR: Mary Jo Sodd	<h1>9</h1>
DES: Mary Jo Sodd	
DRAW: ELV : Revolve unit- Book	
DRW BY: Vandy Scoates	
SCALE: 1/2"=1'0" DATE: 9/7/14	