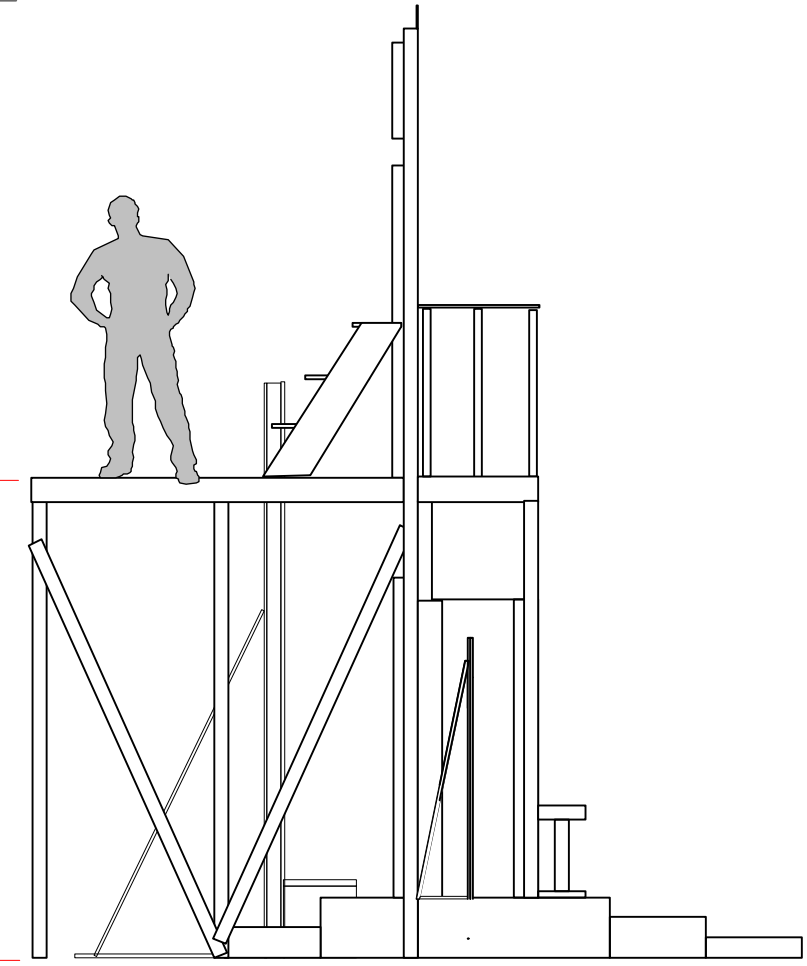
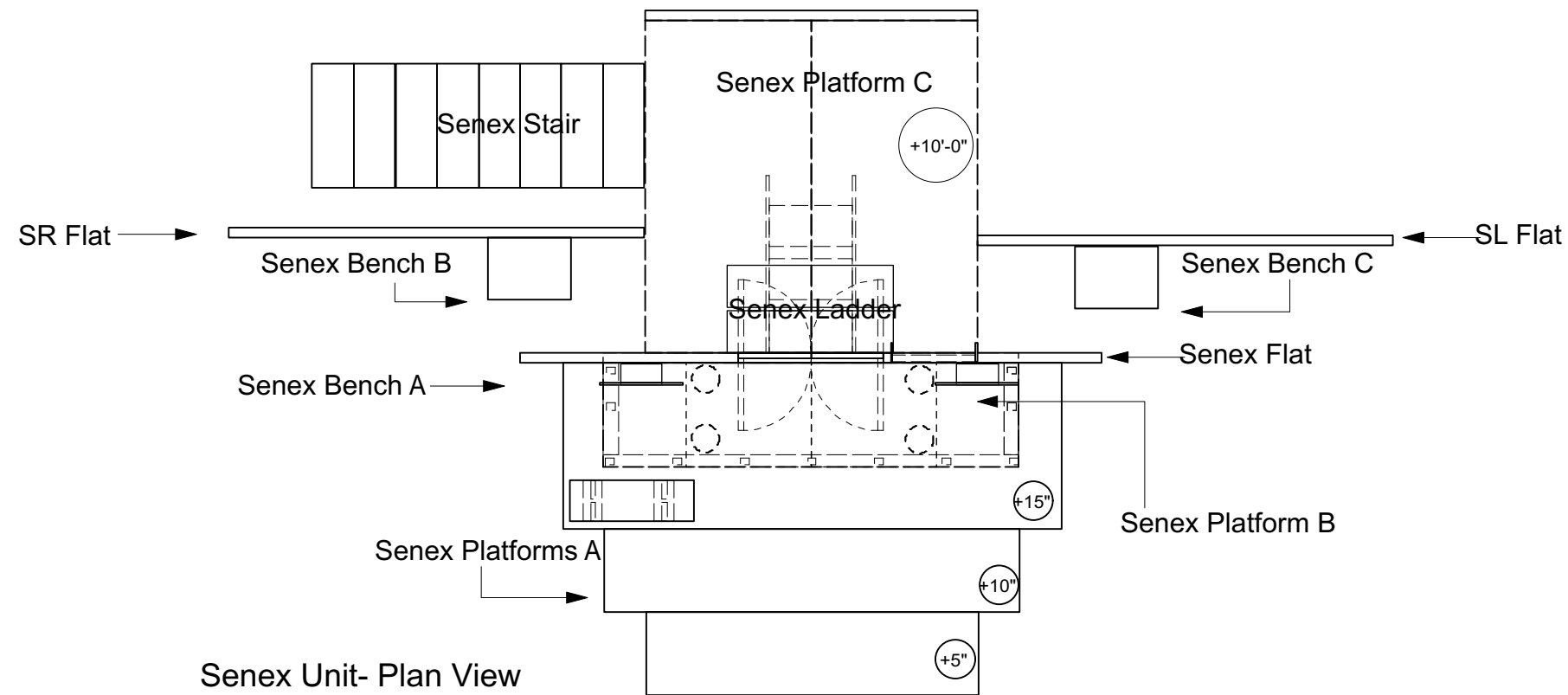


Senex Unit- Front View



Senex Unit- Side View

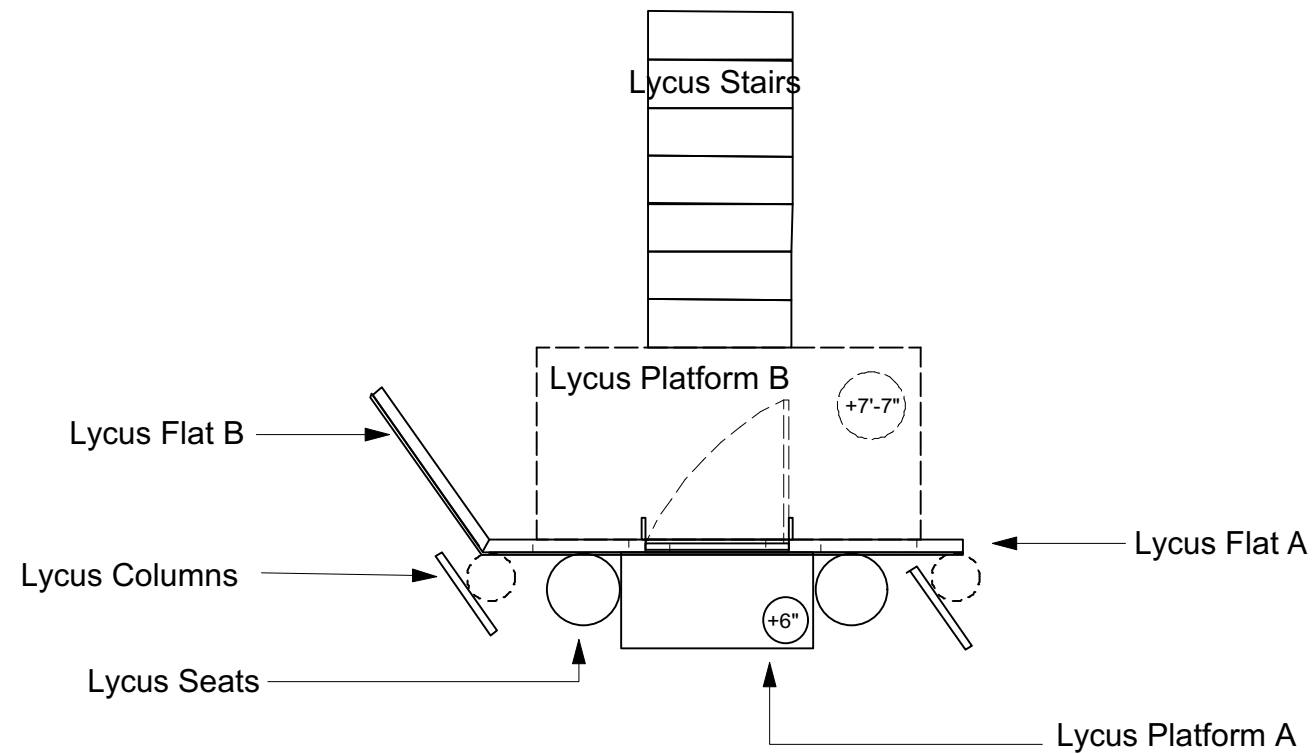


Senex Unit- Plan View

NOTES:

- Senex Stairs can be pulled from stock
- Benches B & C can be pulled from stock but Bench A should be custom made unless stock bench has same dimensions
- Backstage cross-bracing will not be seen and is up to discretion of TD
- All platforms can be pulled from stock
- Escape stairs behind door can be pulled from stock and can be any dimensions as long as width does not exceed 10'
- Platform Unit A must be a total height of 15"
- Balcony and second level must be weight bearing. The balcony can be crossed braced in front if needed but please consult designer.
- See Senex details for more specific notes and measurements

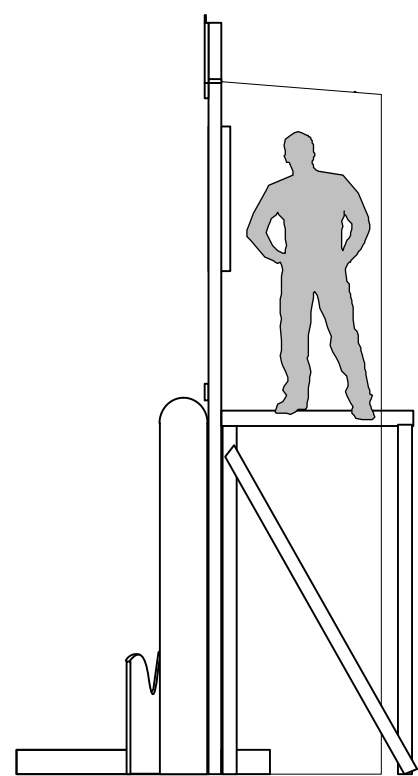
Show Name		
A Funny Thing Happened on the Way to the Forum		
Designer/Drawn By:	Scale	Date
Vandy Scoates	1/4"=1'-0"	12/10/18
Drawing	Number	
Elevation- Senex Unit	3 of 9	



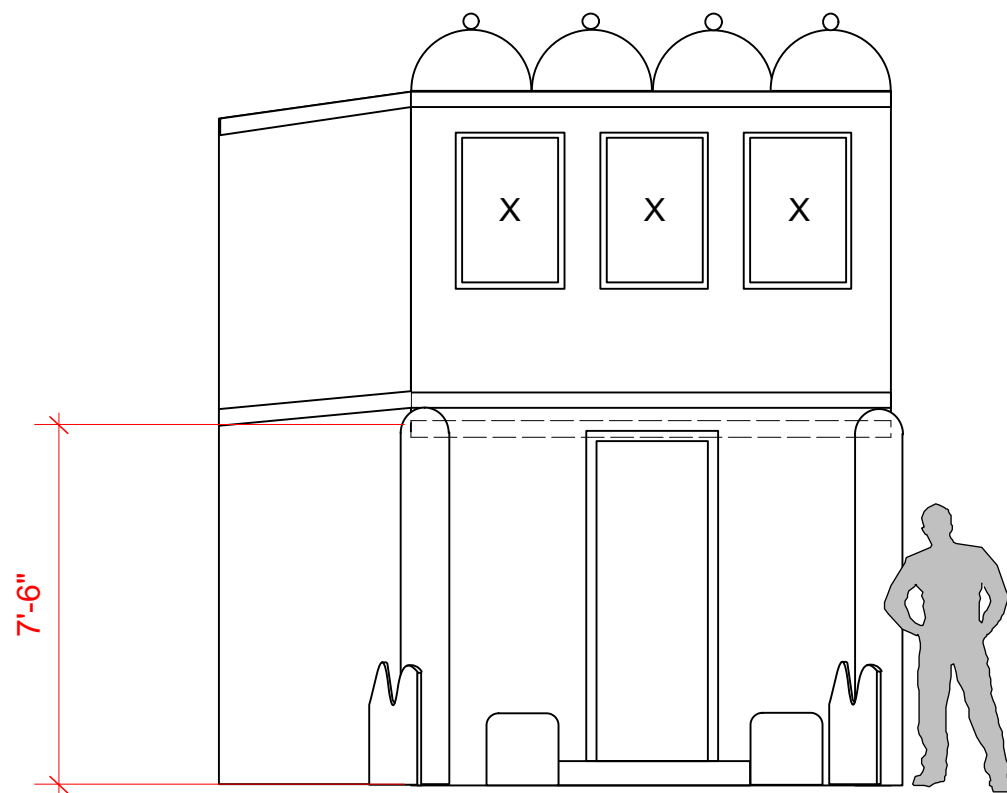
Lycus Unit- Plan View

NOTES:

- Lycus Stairs can be pulled from stock
- Cross-bracing will not be seen and is up to discretion of TD
- All Platforms can be pulled from stock
- Escape stairs behind door can be pulled from stock and can be any dimensions as long as width does not exceed 10'
- Platform A must be a total height of 6"
- Second level must be weight bearing.
- See Lycus Elevation Detail for measurements and information on Lycus Flat, Columns and Seats

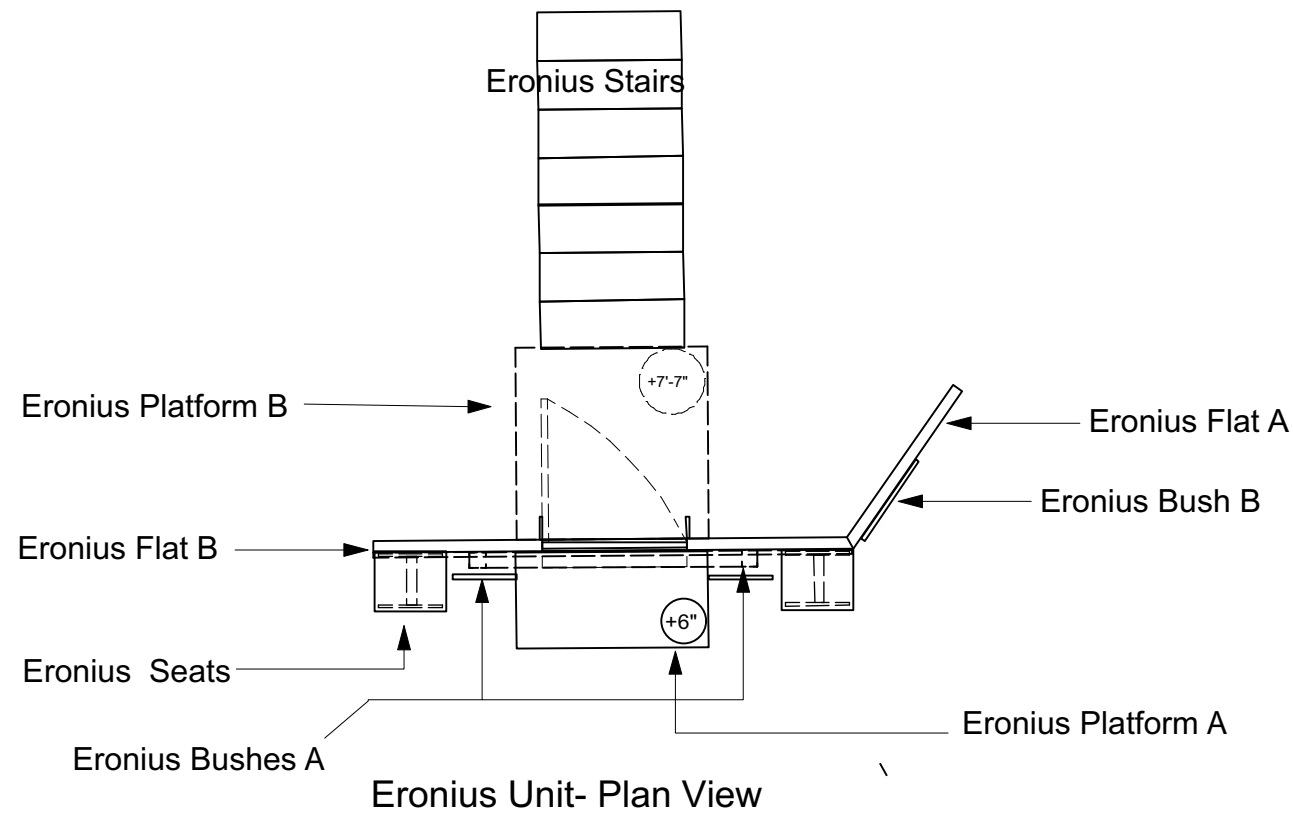


Lycus Unit- Side View



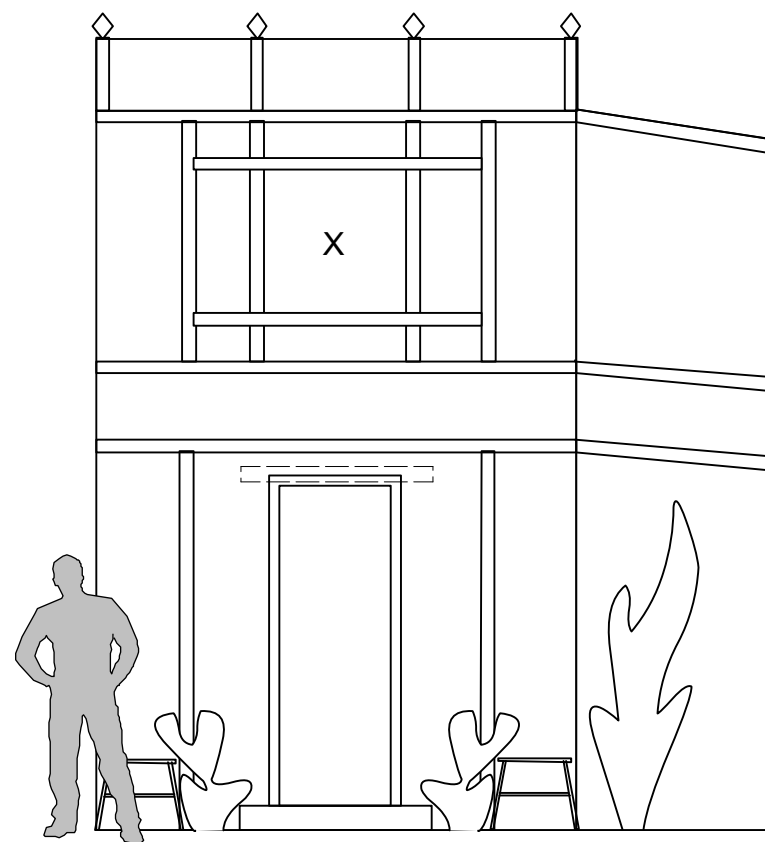
Lycus Unit- Front View

Show Name		
A Funny Thing Happened on the Way to the Forum		
Designer/Drawn By:	Scale	Date
Vandy Scoates	1/4"=1'-0"	12/10/18
Drawing		Number
Elevation- Lycus Unit		6 of 9

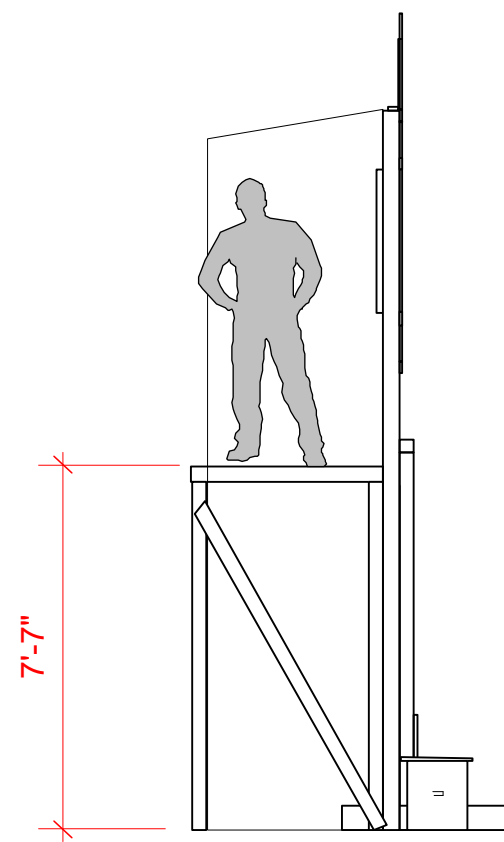


NOTES:

- Eronious Stairs can be pulled from stock
- Eronious Seats can be pulled from Stock
- Cross-bracing will not be seen and is up to discretion of TD
- All Platforms can be pulled from stock
- Platform A must be a total height of 6"
- Second level must be weight baring. The balcony can be crossed braced in front if needed but please consult designer.
- See Eronious elevation details for more specific notes and measurments

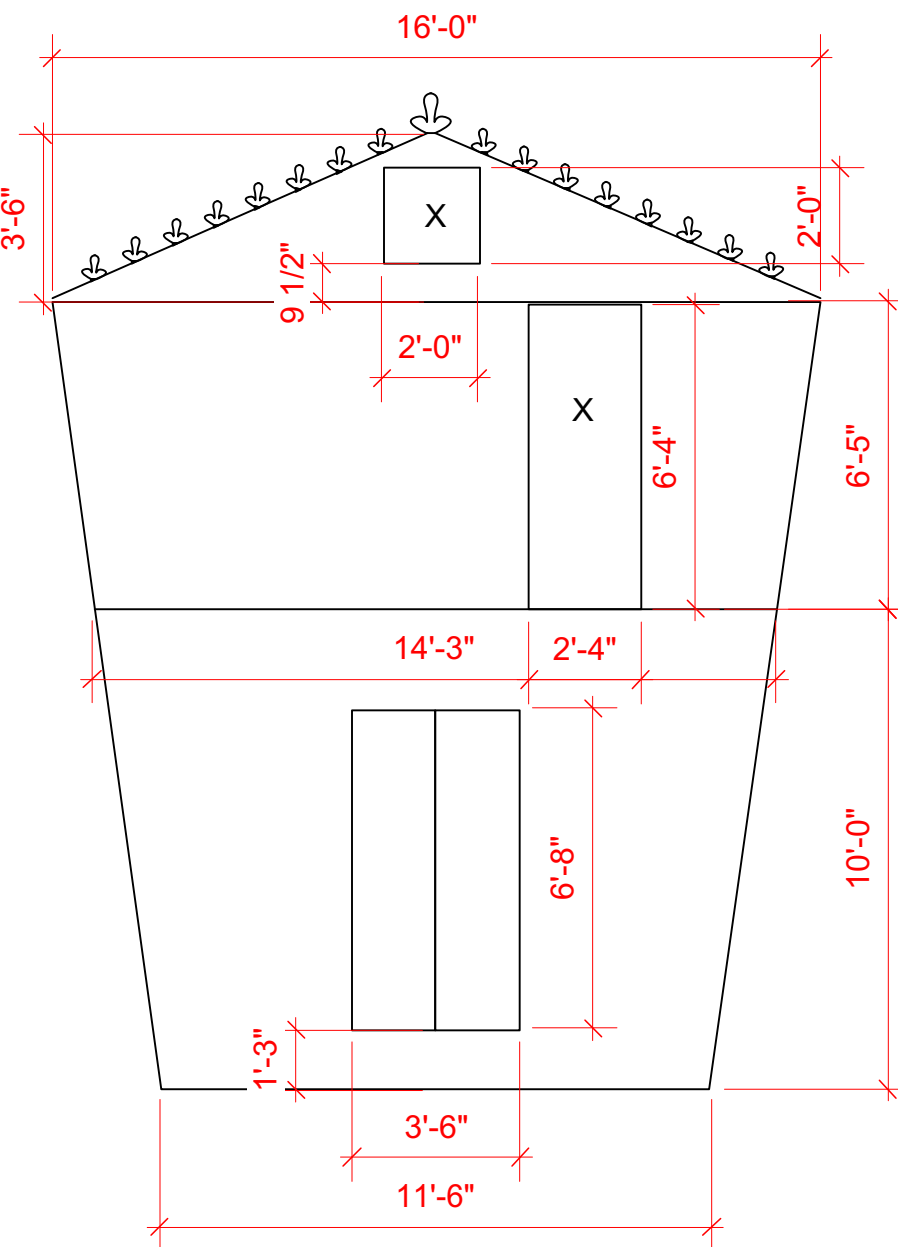


Eronius Unit- Front View

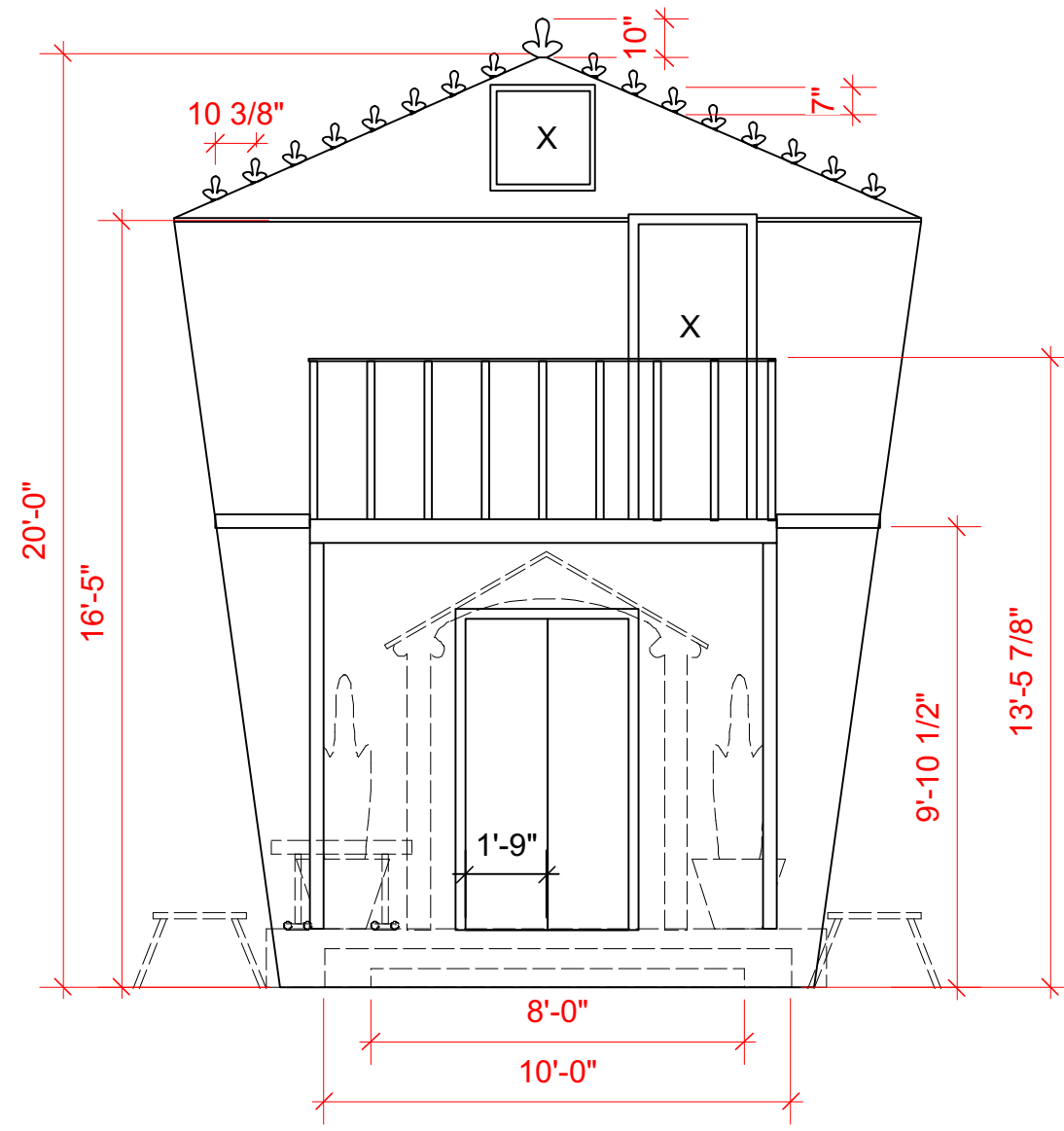


Eronius Unit- Side View

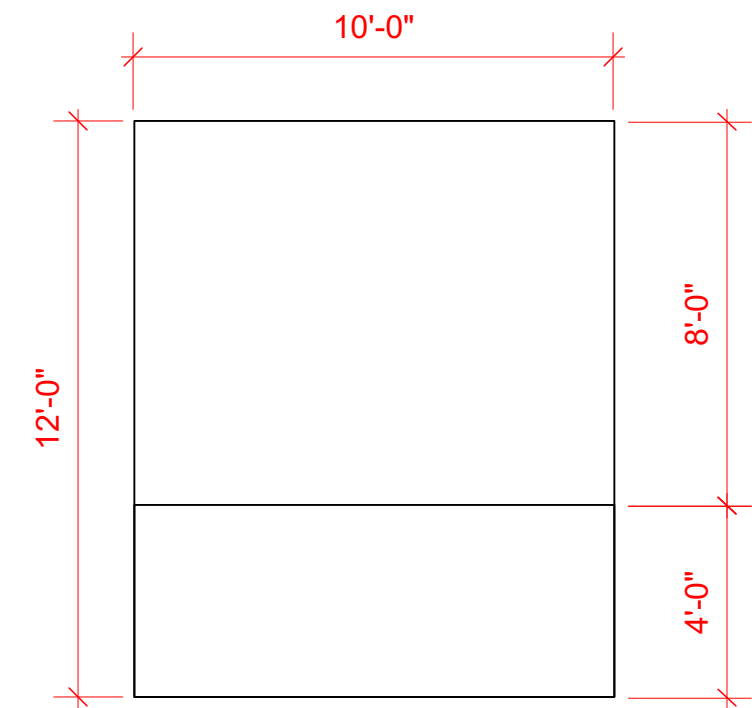
Show Name		
A Funny Thing Happened on the Way to the Forum		
Designer/Drawn By:	Scale	Date
Vandy Scoates	1/4"=1'-0"	12/10/18
Drawing		Number
Elevation- Eronius Unit		8 of 9



Senex Flat (no molding)- Front View



Senex Flat (with Molding)- Front View



Back Wall -Front View

2 Senex Flat
Scale: 1/4" = 1'-0"

2 Back Wall
Scale: 1/4" = 1'-0"

NOTES:

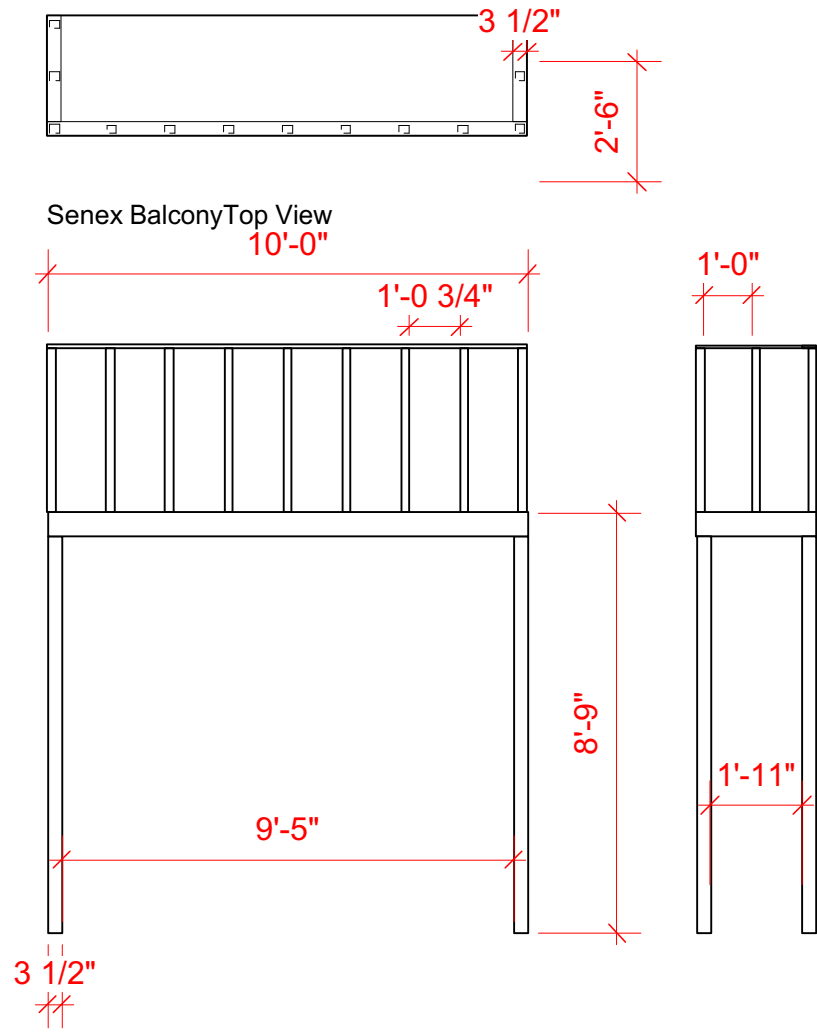
1. Senex Flat

- Upper arch has no door
- Lower door is double swinging and consists of 2, 1'-9" wide doors. This opening and the doors can be a different size if something else is in stock but total doorway width should not exceed 4'-0"
- Window is all 2'x2' with middle on centerline.
- 1x3 can be used for doors molding and horizontal molding
- 1x2 can be used for window molding

2. Back Wall

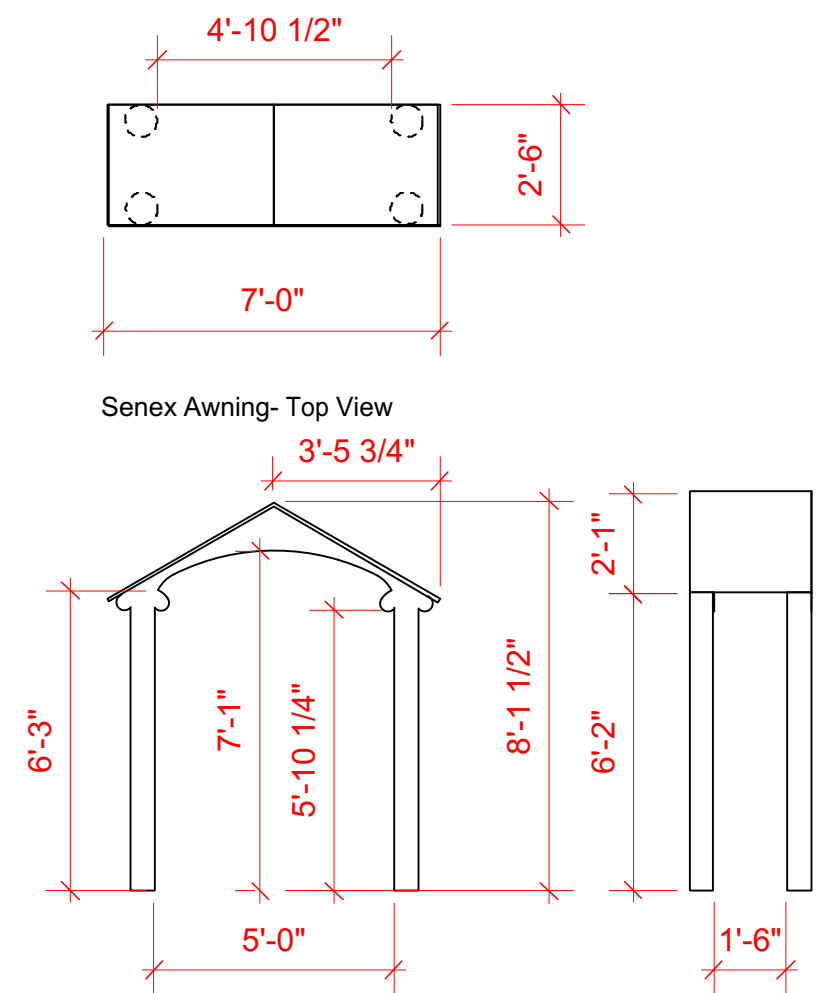
- total wall measures 10"-0" x 12'-0"
- Drawn as 4'-0" x 10'-0" flat along bottom to help with painting. This flat will be painted like wainscoting so the seam between top and bottom would not have to be filled. Actual construction up to discretion of TD

Show Name		
A Funny Thing Happened on the Way to the Forum		
Designer/Drawn By:	Scale	Date
Vandy Scoates	1/4"=1'-0"	12/10/18
Drawing		Number
Elevation- Senex Unit Details 1		4 of 9



Senex Balcony Top View

3 **Senex Balcony**
Scale: 1/4" = 1'-0"

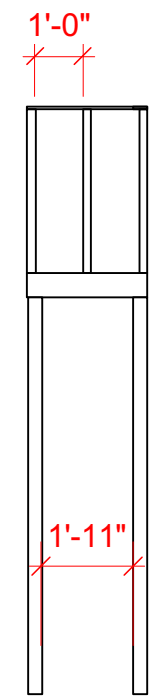


Senex Awning- Top View

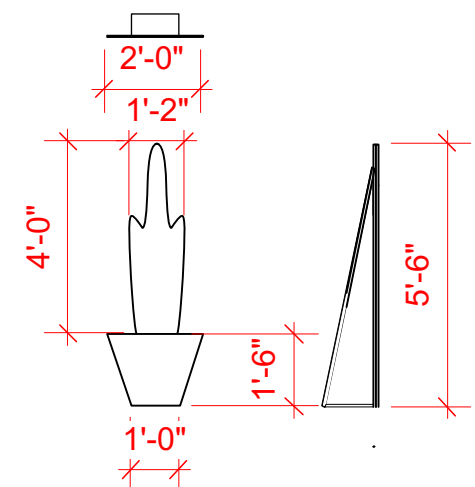
Senex Awning- Front View

2 **Senex Awning**
Scale: 1/4" = 1'-0"

Senex Awning-Side View



Senex Balcony Side View

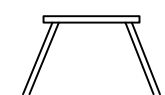


Senex Plant- Front, Side and Top View

4 **Senex Plants (1 of 2)**
Scale: 1/4" = 1'-0"



Senex Bench (1)



Back Wall Benches (2)



5 **Senex/ Back Wall Seats (3 Total)**
Scale: 1/4" = 1'-0"

NOTES:

2. Senex Awning

- Drawn with 6" Comuns. Needs to help support balcony so can have additional cross-bracing if nessesary but please discuss with designer.
- Columns can be pulled from stock and a different size but please discuss with designer.
- Arch and column tops are drawn as a luan facade.
- Roof can be made of Plywood and does not have to be luan covered but spakeled for major flaws before being painted.

3. Senex Balcony

- Drawn with 4x4 supports
- Needs to be weight bareing. Please discuss with designer if cross-bracing is needed.
- Stock platform can be used.
- Railing stiles can be made of 1x2
- Raining tops are drawn as 1x4

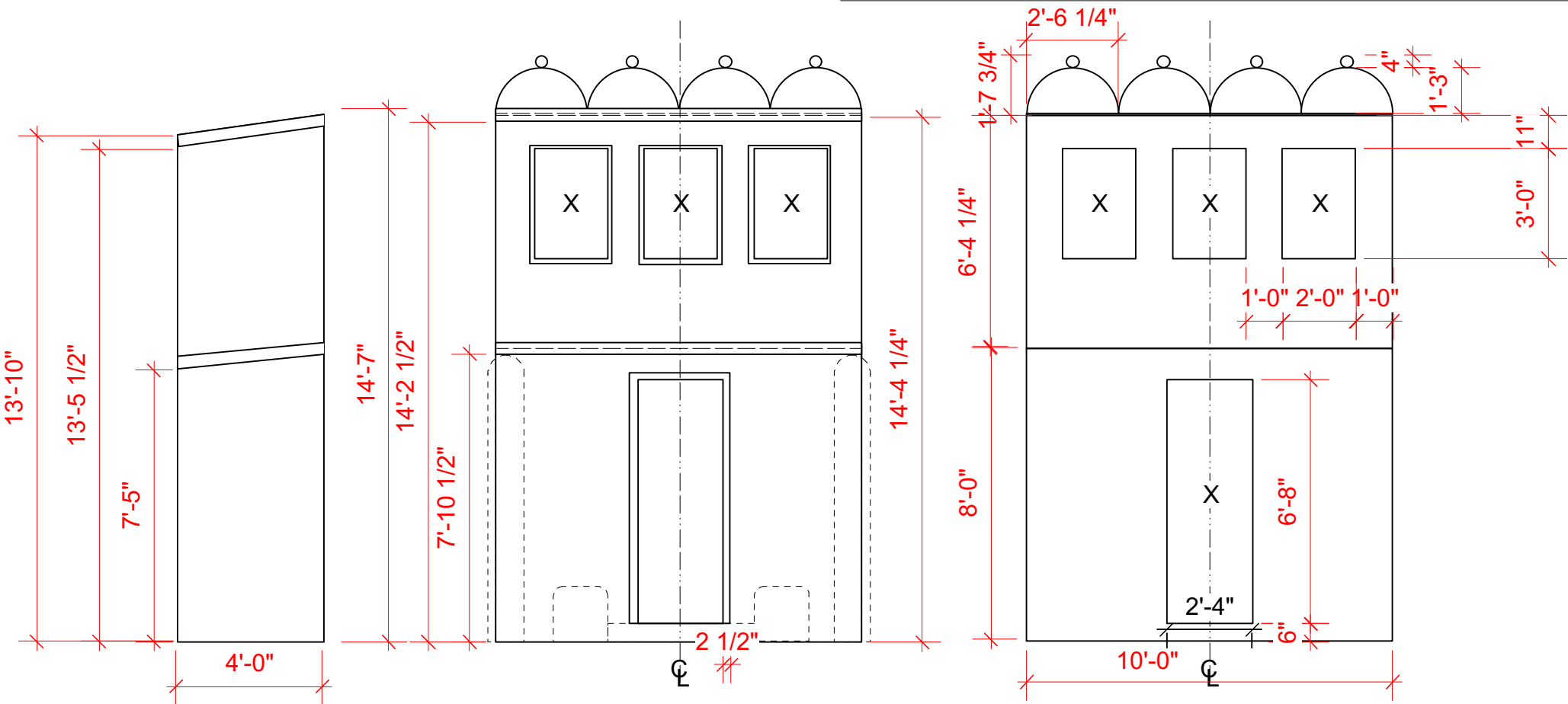
4. Senex Plants

- There are 2 plants total. They are identical
- Plant pieces sit in front of flat.
- Plant pieces can be made of plywood or 1" foam
- Plant pieces are drawn as with 1x3 backing so they stand up on their own but can be affixed directly to columns/flats
- Designer can draw out Plants

5. Senex and Back Walls Seats

- There are 2 back Wall benches. They do not have to be built and do not have to match. Should not exceed 2'-0" x 2'-0"
- Senex Bench does not have to be built but should not exceed 2'-0" d x 3'-0" w.
- Senex Bench should be solid and not fabric covered.

Show Name		
A Funny Thing Happened on the Way to the Forum		
Designer/Drawn By:	Scale	Date
Vandy Scoates	1/4"=1'-0"	12/10/18
Drawing	Number	
Elevation- Senex Unit Details 2	5 of 9	

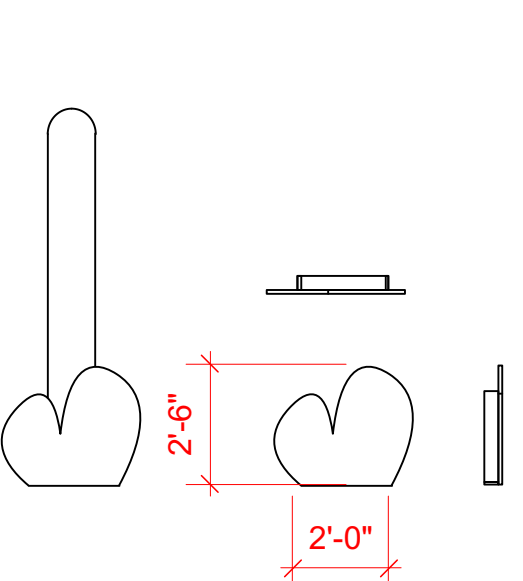


Lycus Flat B: Front View

Lycus Flat A: Front View

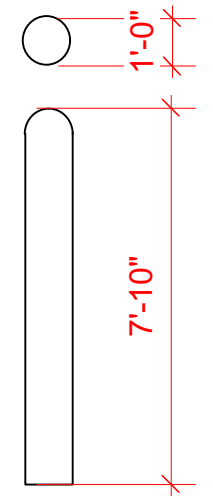
Lycus Flat A (no molding): Front View

1 **Lycus Flat A & B**
Scale: 1/4" = 1'-0"

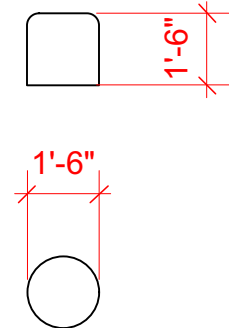


Lycus Column (DS unit) Front View:

Lycus Column Base (DS unit): Front, Top & Side view



Lycus Column Front & Top View:



Lycus Seats Front & Top View:



Lycus Seats Research (N.T.S)

2 **Lycus Columns (1 of 2)**
Scale: 1/4" = 1'-0"

3 **Lycus Seats (1 of 2)**
Scale: 1/4" = 1'-0"

NOTES:

1. Lycus Flat A&B:

- Door is standard 28" width, centered on flat but can be stock of a different size
- If needed TD can use stock 4x8 Flat for upstage side bottom and door can be placed slightly DS of center
- Windows are all 2'x3' with middle on centerline. 1'-0" spacing on either side of center window.
- 1x3 can be used for door molding.
- 1x2 can be used for window molding
- 1x4 can be used for horizontal molding on both flats

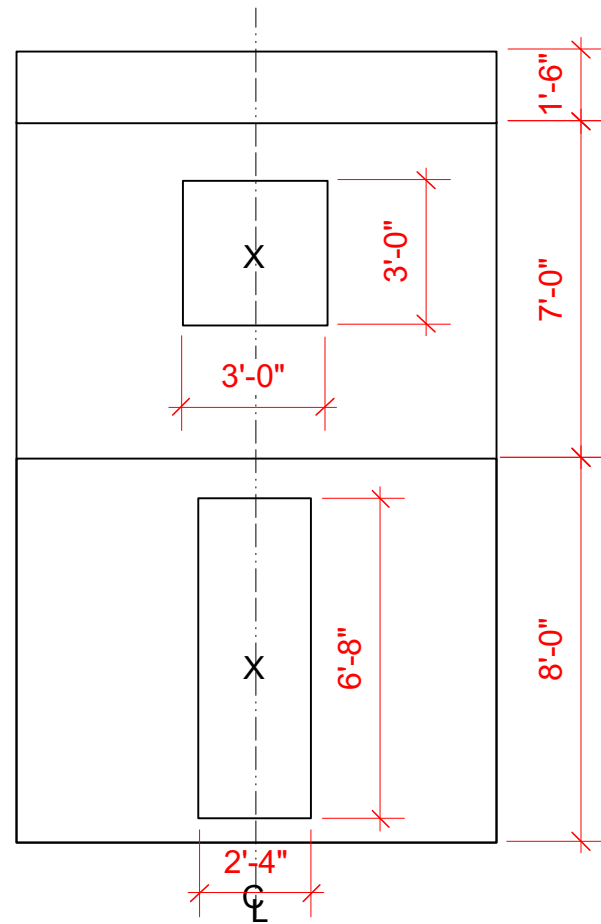
2. Lycus Columns

- There are 2 columns and 2 base pieces
- Base pieces are reverse and repeat
- Columns are drawn as 1'-0" diameter but can be different size if there are others in stock. Please consult with designer.
- Base pieces sit in front of columns. Base pieces are perpendicular to Plaster Line.
- Base pieces can be made of plywood or 1" foam
- Base pieces are drawn as with 1x4 backing so they stand up on their own.

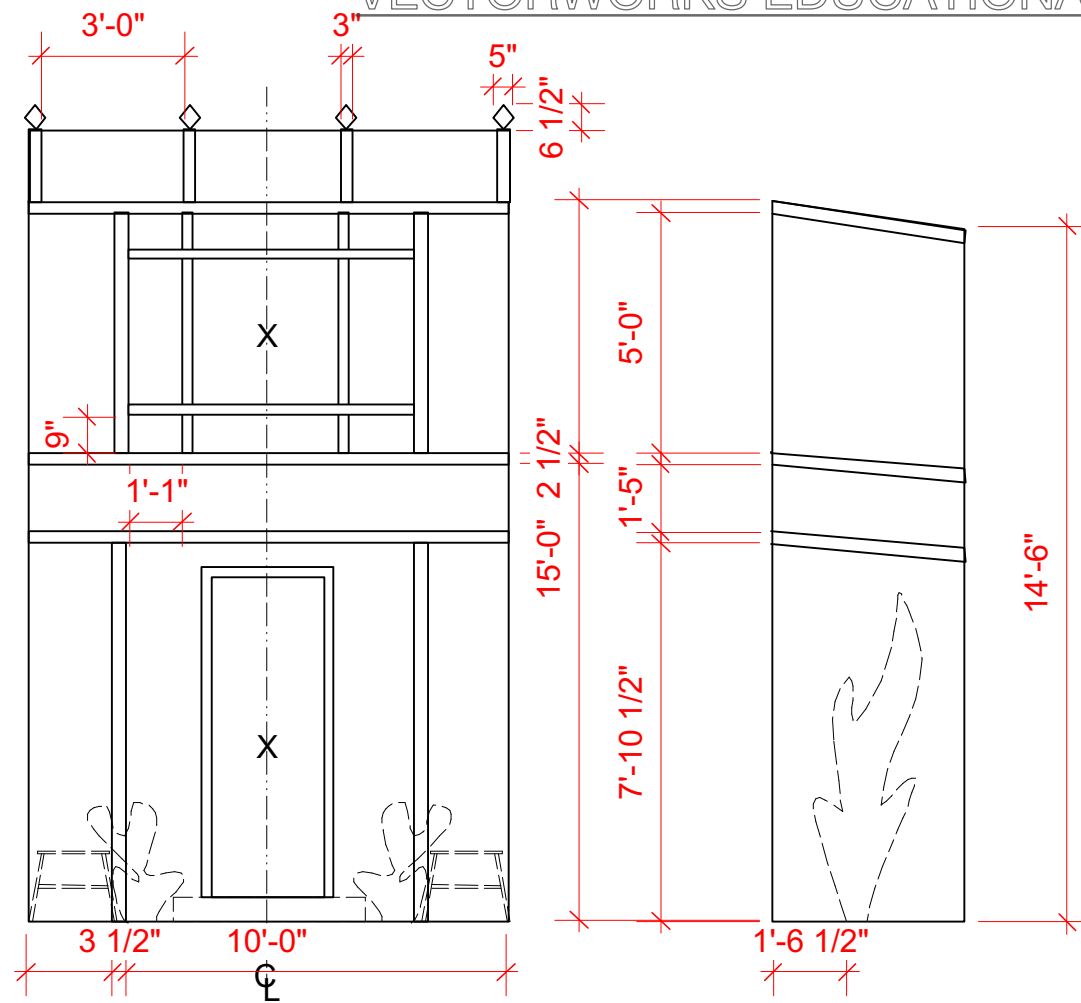
3. Lycus Seats

- There are 2 matching seats
- Seats are round and can be padded puffs if pulled from stock but should be hard if built.
- Can be built or pulled from stock and be a different size.
- If pulled, please consult with designer

Show Name		
A Funny Thing Happened on the Way to the Forum		
Designer/Drawn By:	Scale	Date
Vandy Scoates	1/4"=1'-0"	12/10/18
Drawing		Number
Elevation- Lycus Details		7 of 9

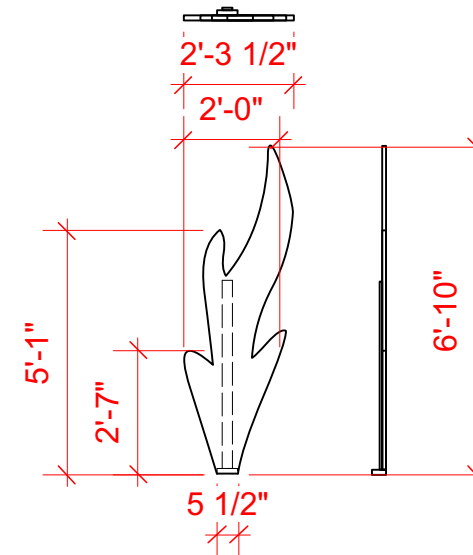


Eronious Flat A- Front View (No molding)



Eronious Flat A- Front View

Eronious Flat B- Front View



Eronious Bush B
Front, Side and Top view

1 Eronious Flat unit
Scale: 1/4" = 1'-0"

4 Eronious Bush B
Scale: 1/4" = 1'-0"

NOTES:

1. Eronious Flat A&B:

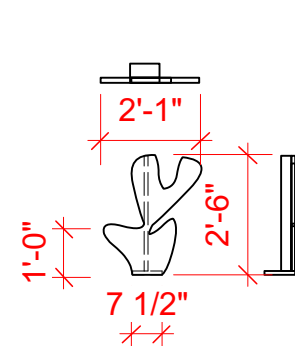
- Door is standard 28" width, centered on flat but can be stock of a different size
- If needed TD can use stock 4x8 Flat for upstage side bottom and door can be placed slightly DS of center
- Windows 3'-0" x 3'-0" with middle on centerline.
- 1x3 can be used for door molding.
- 1x3 can be used for Tudor Style Modeling around window
- 1x4 can be used for horizontal molding on both flats as well as vertical molding on either side of door
- Top Detail can be 1x3 modeling or luan. up to TD discretion but should have 3D depth

2 & 4. Eronious Bushes A and B

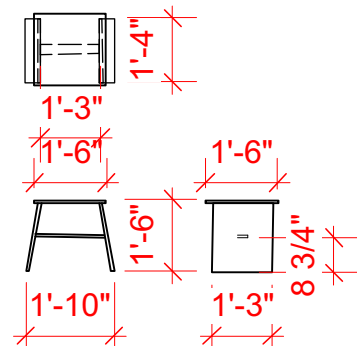
- Bush pieces are reverse and repeat
- Bush pieces sit in front of flat.
- Base pieces can be made of plywood or 1" foam
- Base pieces are drawn as with 1x3 backing so they stand up on their own but can be affixed directly to columns/flats
- Designer can draw out bushes

3. Lycus Seats

- There are 2 matching seats
- Seats should be solid and made of wood should be hard if built.
- Can be built or pulled from stock and be a different size.
- If pulled, please consult with designer



Eronious Bush (SR Unit)-
Front, Side and Top view



Eronious Seats (SR unit)-
Front, Side and Top view

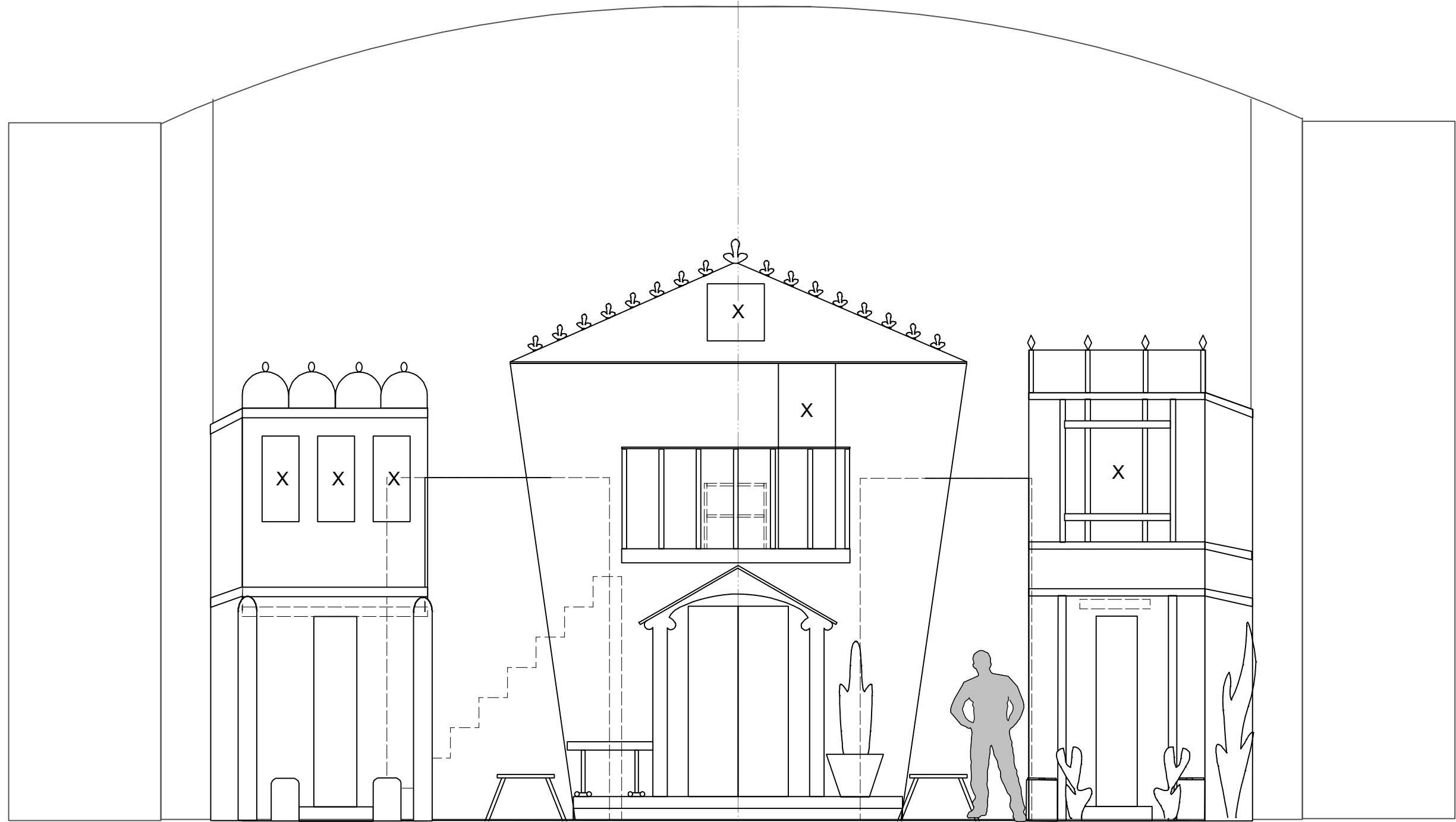


Eronious Seats - Research Image

3 Eronious bushes A (1 of 2)
Scale: 1/4" = 1'-0"

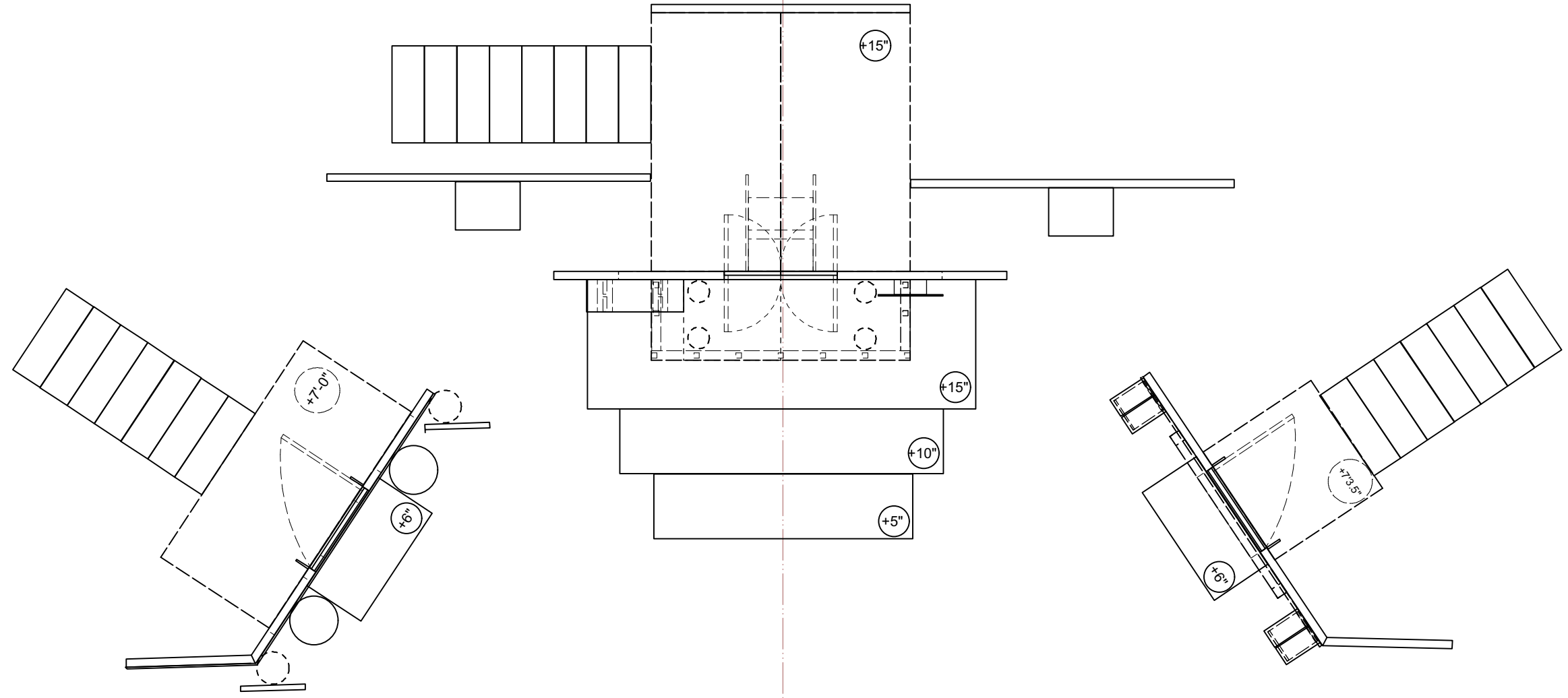
2 Eronious Seat (1 of 2)
Scale: 1/4" = 1'-0"

Show Name A Funny Thing Happened on the Way to the Forum		
Designer/Drawn By: Vandy Scoates	Scale 1/2"=1'-0"	Date 12/10/18
Drawing Elevation- Eronius Detail		Number 9 of 9



Show Name		
A Funny Thing Happened on the Way to the Forum		
Designer/Drawn By:	Scale	Date
Vandy Scoates	1/4"=1'-0"	12/10/18
Drawing		Number
Front Elevation		2 of 9

- 32 _____
- 31 Projection Screen Storage
- 30 Cyc _____
- 29 _____
- 28 _____
- 27 _____
- 26 Cyc Elec. _____
- 25 _____
- 24 Border _____
- 23 Legs _____
- 22 Acoustic Shell _____
- 21 3rd Elec. _____
- 20 _____
- 19 Border _____
- 18 _____
- 17 Blk. Traveler _____
- 16 _____
- 15 _____
- 14 _____
- 13 _____
- 12 2nd Elec. _____
- 11 Legs _____
- 10 _____
- 9 Border _____
- 8 Acoustic Shell _____
- 7 _____
- 6 Legs _____
- 5 _____
- 4 1st Elec. _____
- 3 Projection Screen _____
- 2 Main Curtain _____
- 1 Main Teaser _____



Show Name		
A Funny Thing Happened on the Way to the Forum		
Designer/Drawn By:	Scale	Date
Vandy Scoates	1/2"=1'-0"	12/10/18
Drawing	Number	
Ground Plan	1 of 9	