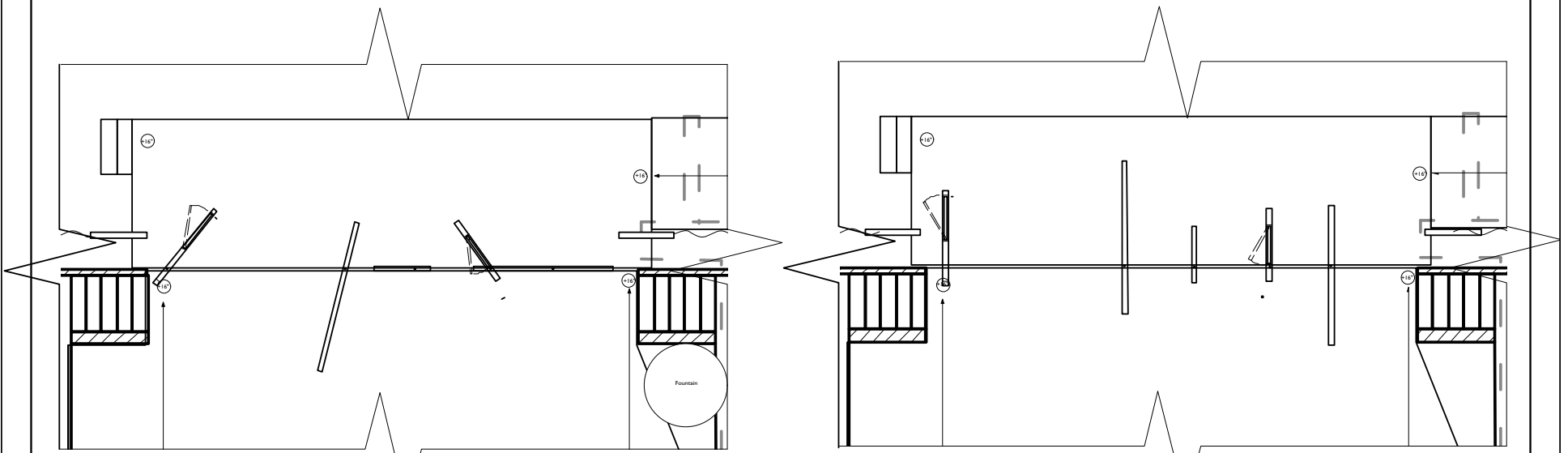
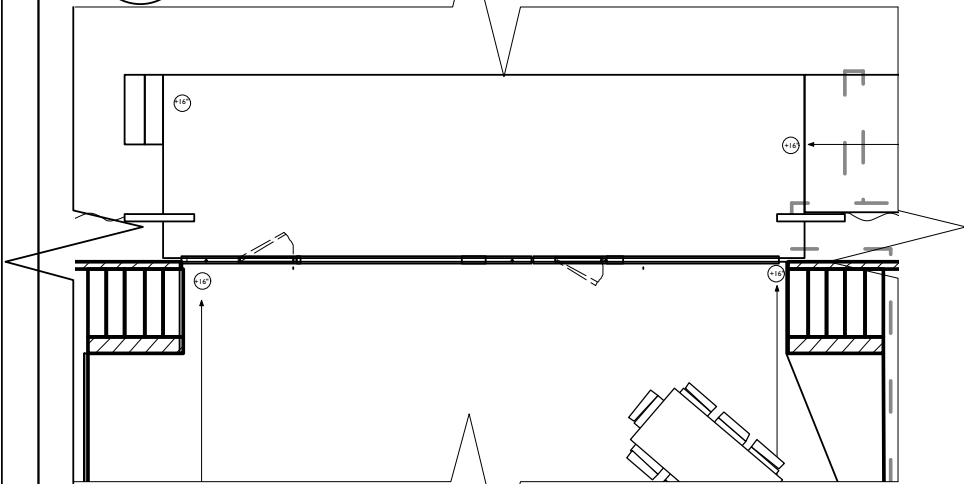


Base FRT VIEW- Wall Placment
Scale: 1/4" = 1'-0"

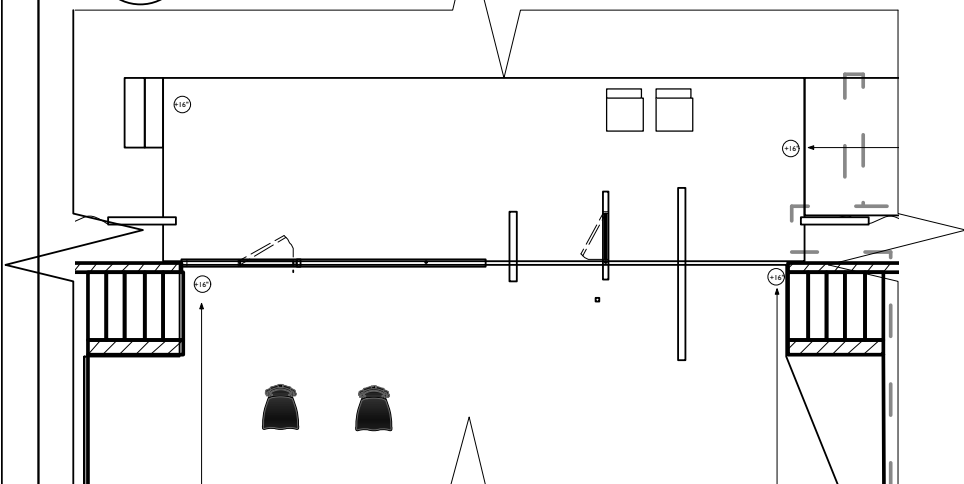


Act 1 GP Detail
Scale: 1/8" = 1'-0"

End GP Detail
Scale: 1/8" = 1'-0"



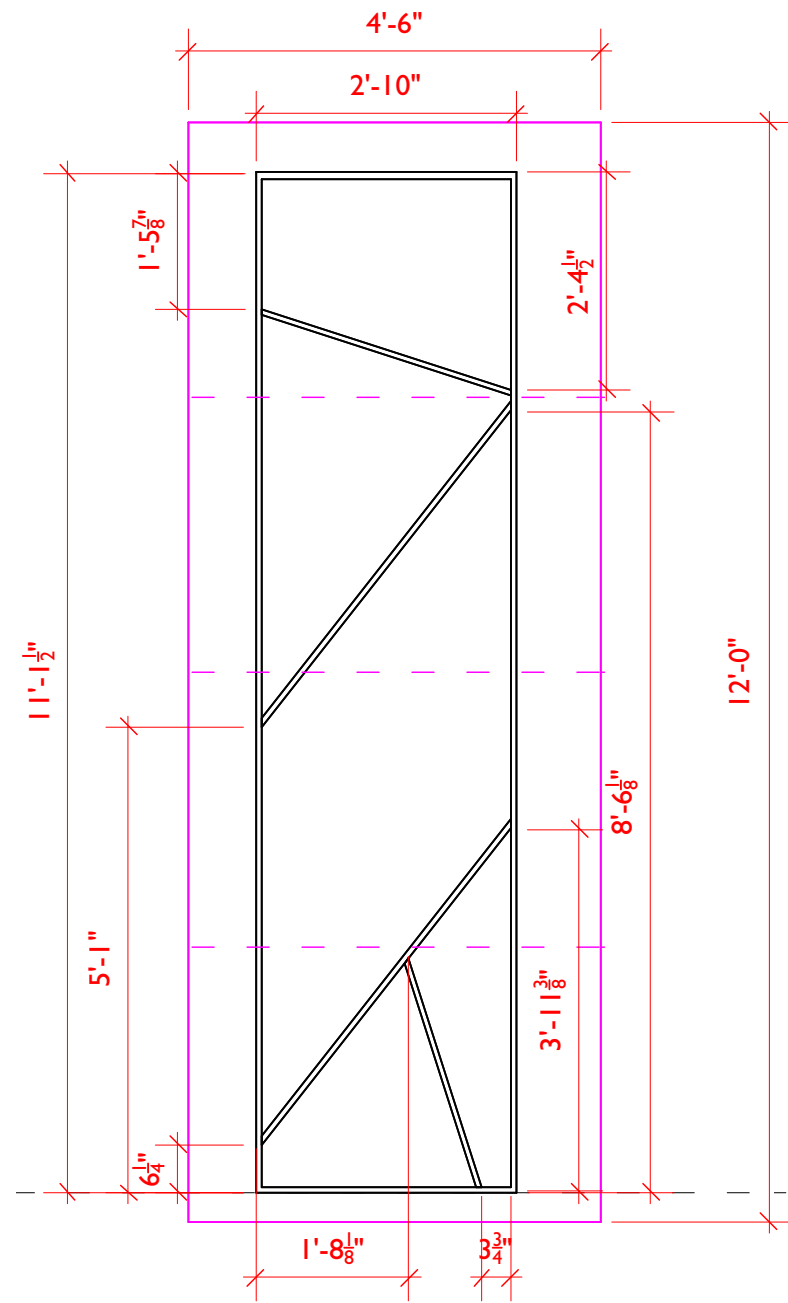
Act 2 GP Detail
Scale: 1/8" = 1'-0"



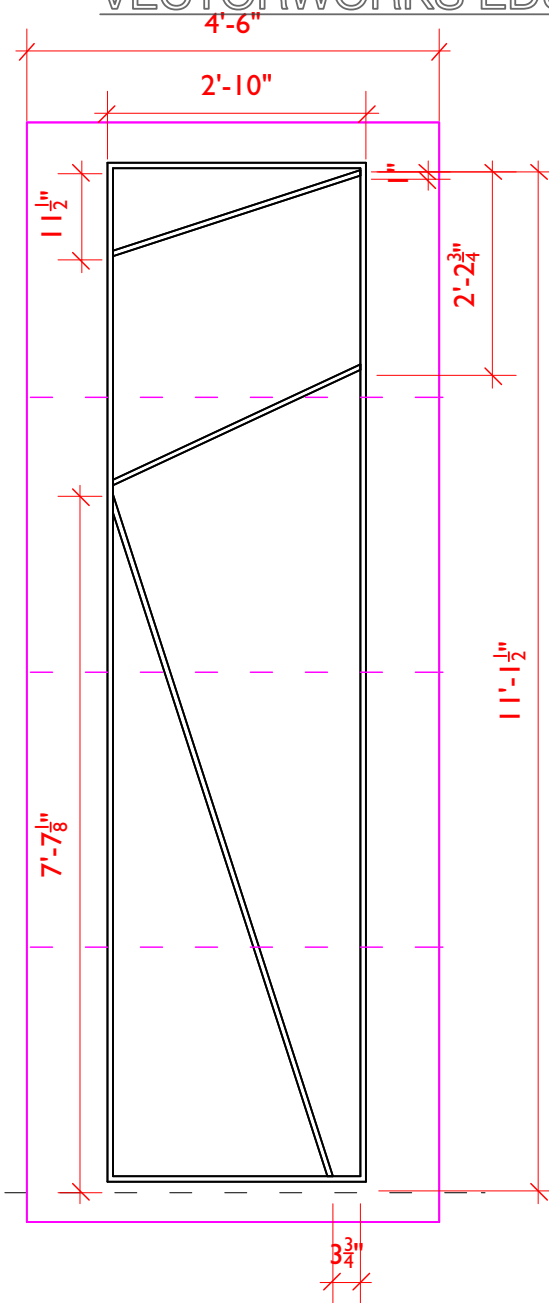
Act 3 GP Detail
Scale: 1/8" = 1'-0"

NOTES:
-Start placement with Flat B directly off the stage right brick wall and go from there.

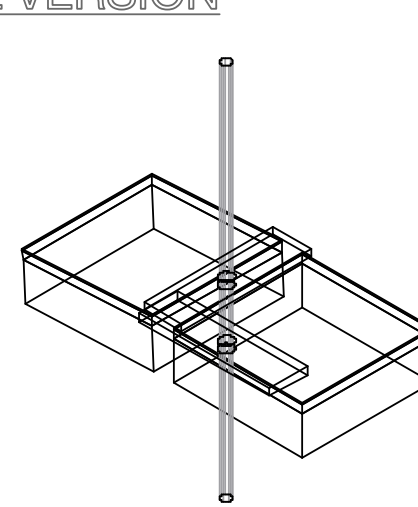
Show Name Ghost Sonata		
Designer/Drawn By: VSK	Scale See Drawings	Date 1/26/19
Drawing ELV 7- Wall Placement		



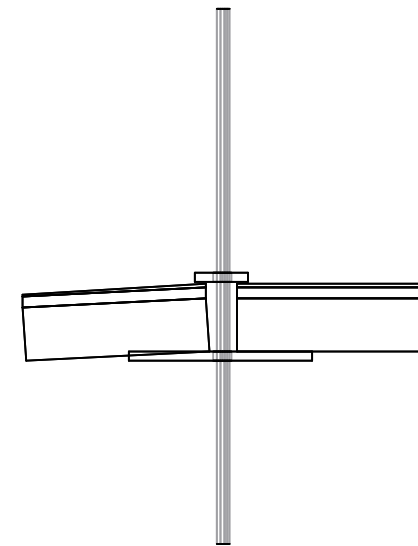
Flat A Frt Elv. w/ Fabric
Scale: 1/2" = 1'-0"



FLat G Frt Elv. w/ Fabric
Scale: 1/2" = 1'-0"



Detail 1 Isometric View- Rotation detail
Scale: 1" = 1'-0"



Detail 2 Frt View- Rotational Detail
Scale: 1" = 1'-0"

NOTES:

FLATS:

- Both Flats can be attached to back platform 2'-0" upstage of brick wall and secured to grid
- Cut List notes longer pieces than necessary so detail angles can be cut using bevel gauge.
- Interior pieces do not have to be 1x4s but must be a at least 1x2s and should be attached so 3/4" end is flush to frame
- Frame should be constructed with Rails capping stiles

ROTATION DETAIL:

- Rotation detail shows example for Flats B-F
- Please note dowel placement on each flat.
- Dowel is drawn at 7/8" diameter with a 1" hole in bottom rail of flat and attached 1x4
- Dowels on most flats are drawn as 3'-0" long but can be bought at stock length and cut to fit when needed.
- 1x4 is attached on bottom edge of platform and rake to secure placement
- Dowel should go all the way to the ground

CUT LIST:

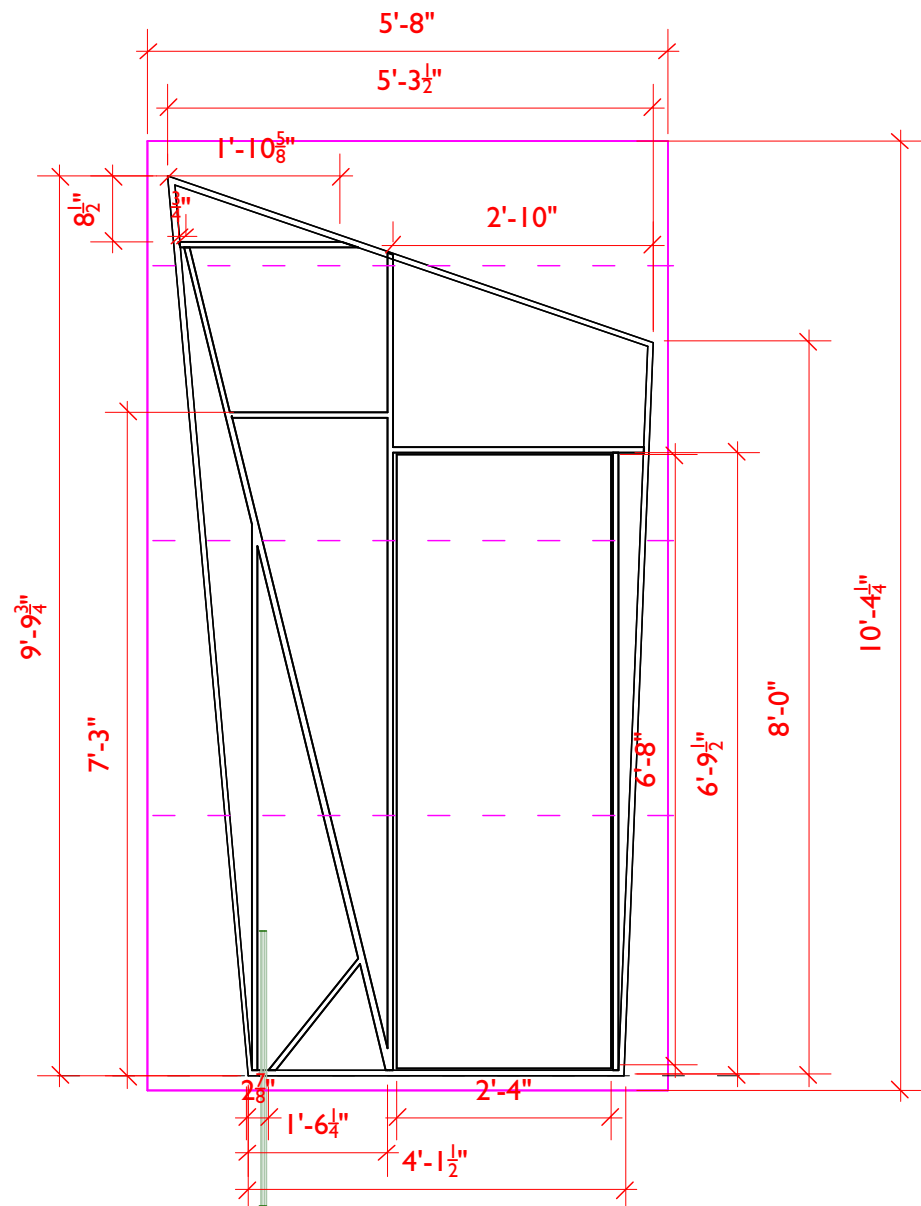
Flat A:

- 1X4: 2@ 2'-10"
- 2@ 11'-0"
- 1x ? Cut to Angles: 1@ 2'-10"
- 1@ 4'-6"
- 1@ 4'-9"
- 1@ 3'-2"
- Fabric: 4 yrds, split down middle

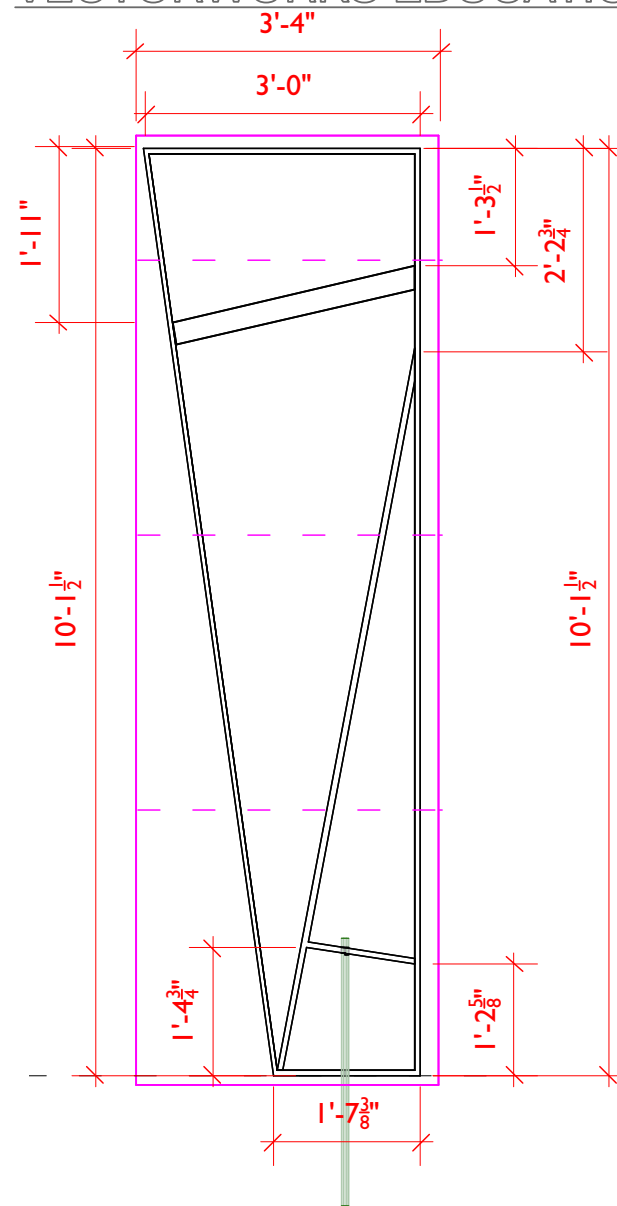
Flat G:

- 1X4: 2@ 2'-10"
- 2@ 11'-0"
- 1x ? Cut to Angles: 1@ 8'-0"
- 2@ 3'-9"
- Fabric: 4 yrds, split down middle

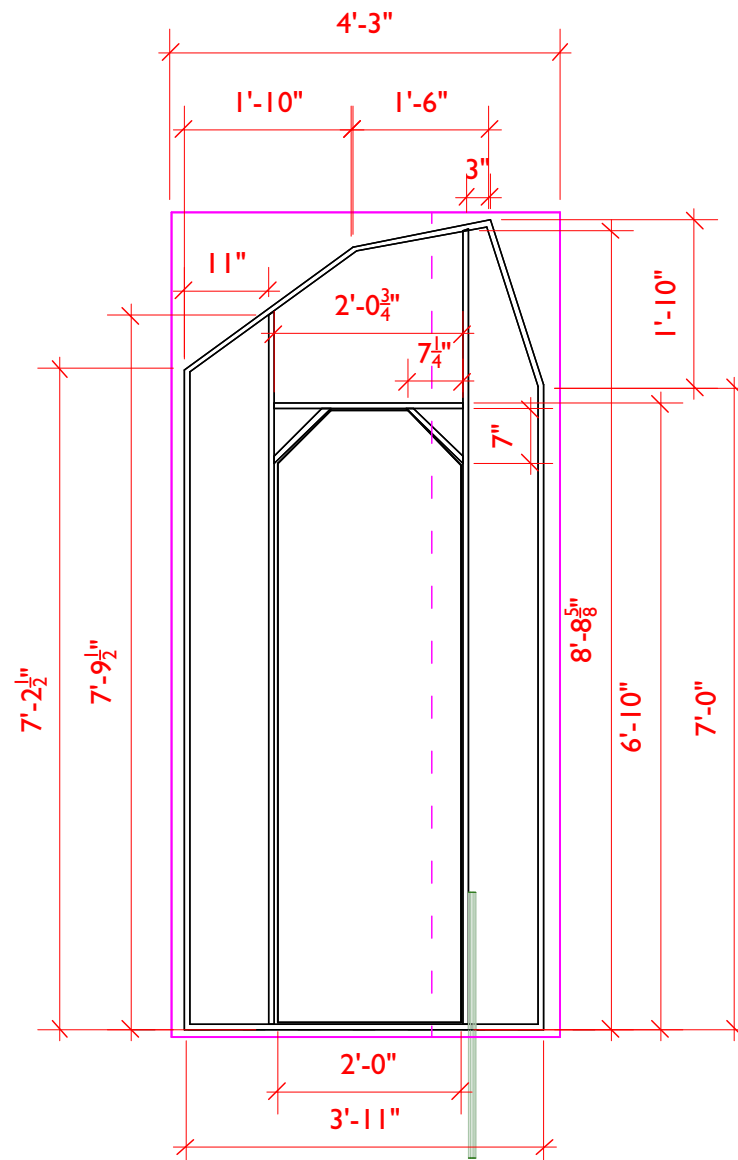
Show Name Ghost Sonata		
Designer/Drawn By: VSK	Scale See Drawing	Date 1/26/19
Drawing ELV 7: Flats A and H / Rotation Detail		



Flat B Frt View w/ fabric
Scale: 1/2" = 1'-0"



Flat D Frt View w/ Fabric
Scale: 1/2" = 1'-0"



Flat E Frt View with Fabric
Scale: 1/2" = 1'-0"

NOTES:

- See ELV 7 for Dowel/Rotation info
- Cut List notes longer pieces than necessary so detail angles can be cut using bevel gauge.
- Interior pieces do not have to be 1x4s but must be at least 1x2s and should be attached so 3/4" end is flush to frame
- Frame should be constructed with Rails capping stiles on Flats B and D
- Rails for Flat E are all cut to fit with angles

CUT LIST:

Flat B:
 1X4: 1@ 4'-1 1/2"
 1 @ 8'-0"
 1@ 5'-3 1/2"
 1@ 9'-10" (1 side @ angle)
 1@ 6'-9 1/2"
 1 @ 9'-0" (1 side @ angle)
 1x ? Cut to Angles: 3@ 2'-0"
 1@ 9'-8"
 1@ 6'-2"
 Fabric: 3.5 yds., Cut at 5'-8"

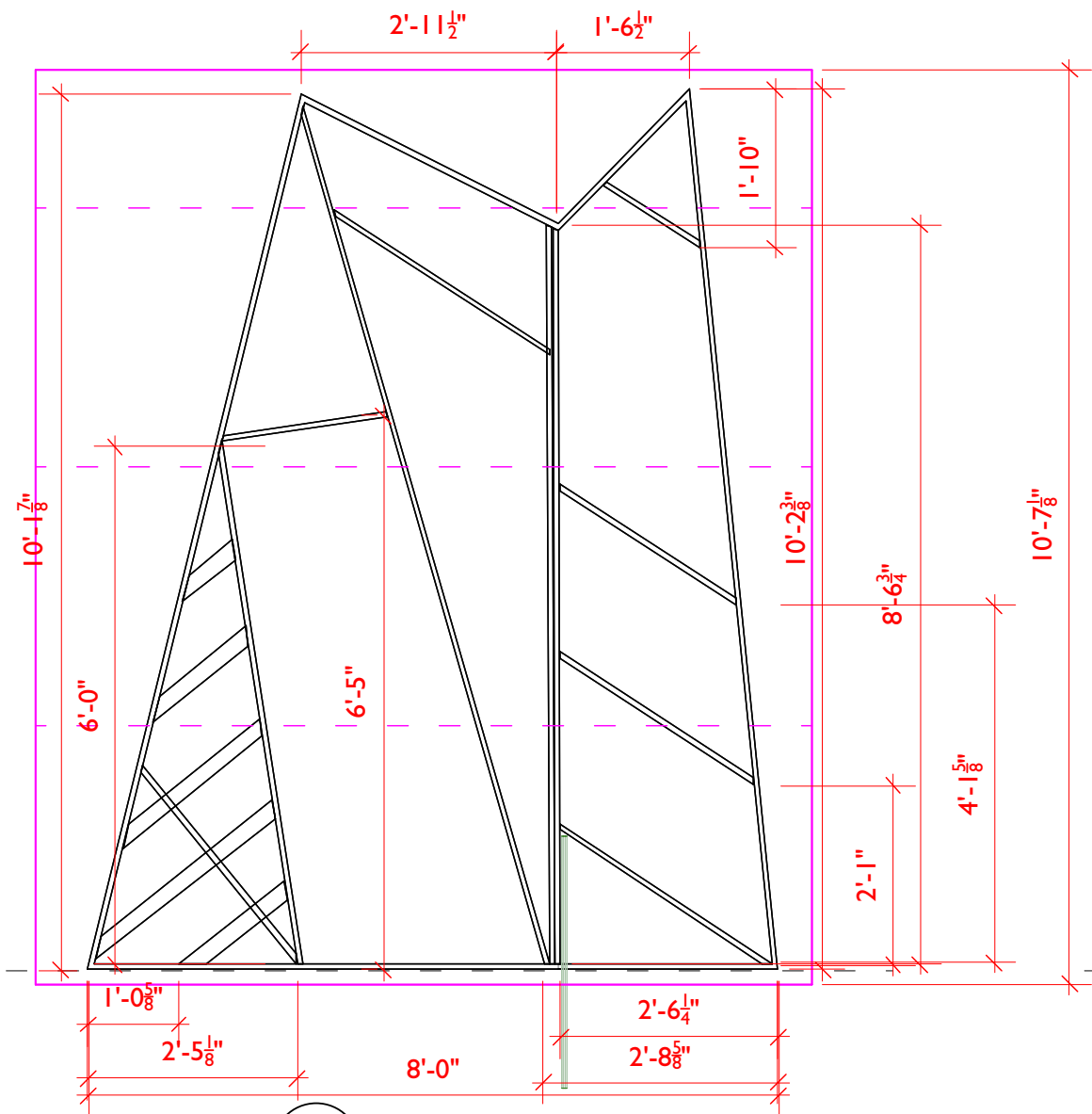
Flat D:
 1X4: 1@ 1'-7 3/8"
 1@ 3'-0"
 1@ 10'-3" (1 side @ angle)
 1@ 10'-1 1/2"
 1x ? Cut to Angles: 1@ 8'-2"
 1@ 2'-10"
 1 @ 1'-4"
 Fabric: 3.5 yds, scrap from Flat B

Flat E:
 1X4: 1@ 3'-11"
 1@ 7'-2 1/2"
 1@ 7'-0"
 1 @ 7'-4" (1 side @ angle)
 1 @ 7'-11" (1 side @ angle)
 2 @ 2'-0 3/4"
 1x ? Cut to Angles: 1@ 1'-7"
 1@ 2'-11"
 1@ 1'-11"
 Fabric: 1.5 yds

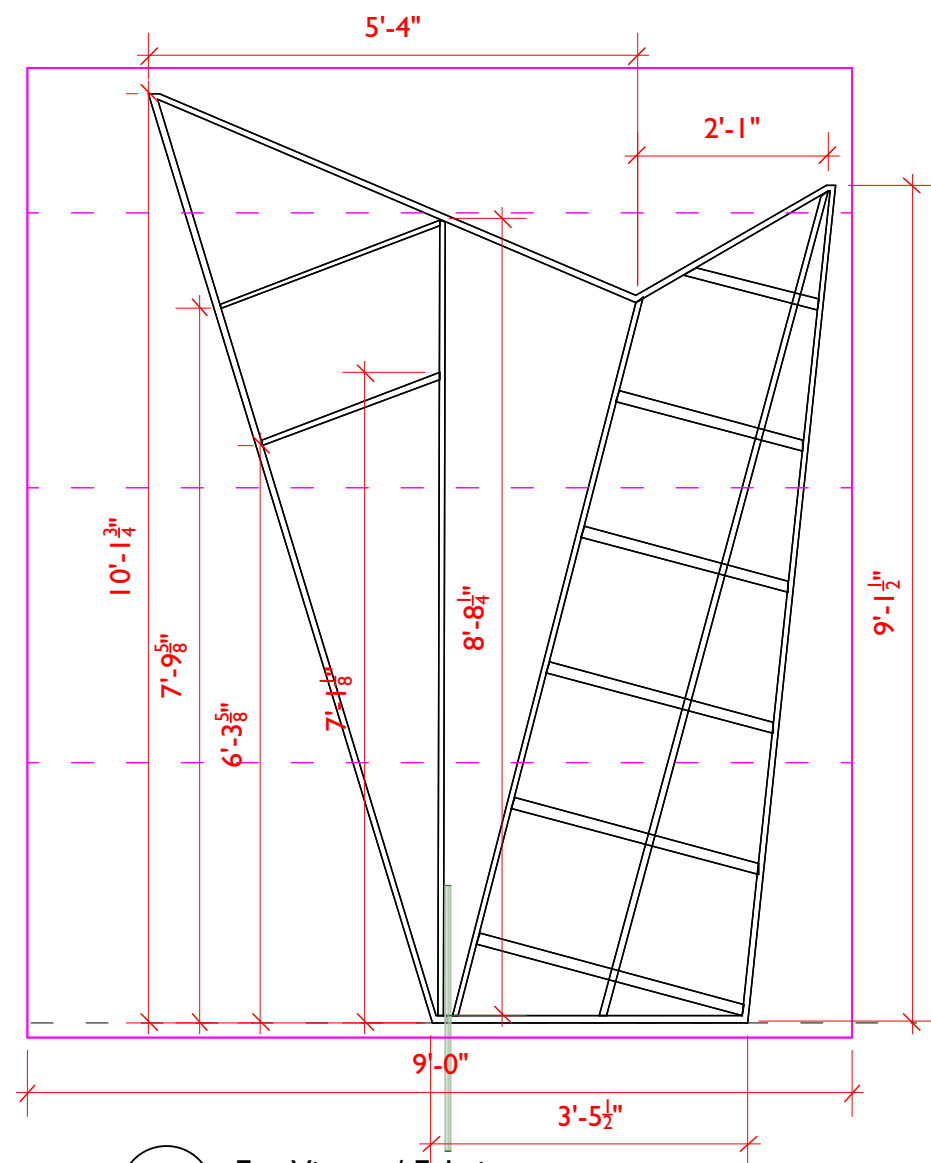
Show Name Ghost Sonata		
Designer/Drawn By: VSK	Scale 1/2" = 1'-0"	Date 1/26/19
Drawing ELV 7: Flats B, D and E		

NOTES:

- See ELV 7 for Dowel/Rotation info
- Cut List notes longer pieces than necessary so detail angles can be cut using bevel gauge.
- Interior pieces do not have to be 1x4s but must be at least 1x2s and should be attached so 3/4" end is flush to frame
- Rails for Flats are all cut to fit with angles



Flat C Frt View w/ Fabric
Scale: 1/2" = 1'-0"



FLat F Frt View w/ Fabrics
Scale: 1/2" = 1'-0"

CUT LIST:

Flat C:

- 1X4: 1 @ 8'-0"
- 1 @ 10'-3" (1 side angle)
- 1 @ 10'-4" (1 side angle)
- 2 @ 8'-8" (1 side angle)
- 1x ? Cut to Angles: 3 @ 2'-3" 1 @ 6'-2" 1 @ 1'-9"
- 3 @ 3'-0" 1 @ 1'-2" 1 @ 3'-4"
- 1 @ 2'-9" 1 @ 1'-7" 1 @ 3'-6"
- 1 @ 3'-2" 1 @ 1'-6"

Fabric: 3.5 yards

Flat F:

- 1X4: 1 @ 3'-5 1/2"
- 1 @ 5'-4"
- 1 @ 9'-2" (1 side angle)
- 1 @ 10'-3" (2 side angle)
- 1 @ 8'-9" (1 side angle)
- 1x ? Cut to Angles: 1 @ 2'-11" 1 @ 2'-7" 1 @ 9'-8"
- 1 @ 1'-7" 1 @ 2'-10" 1 @ 2'-4"
- 2 @ 2'-2" 2 @ 3'-2" 1 @ 8'-1"

Fabric: 3.5 yards

Show Name Ghost Sonata		
Designer/Drawn By: VSK	Scale See Drawing	Date 1/26/19
Drawing ELV 9: Flats C and F		