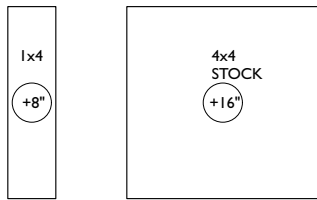
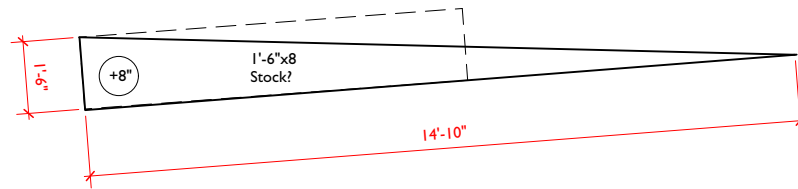
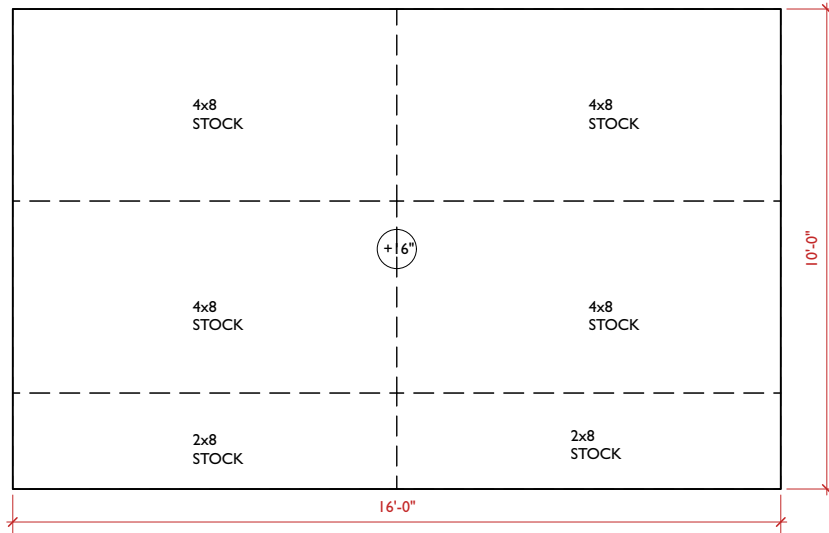


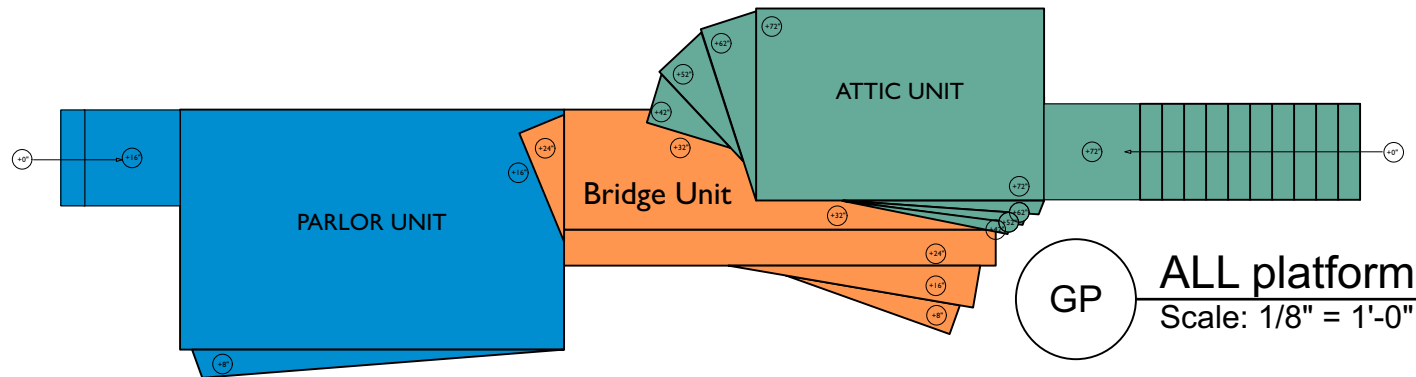
Title Stationary GP		
Drawing Number GP1 SCALE: 1/8"=1'-0"	Drawn By VSK	Date 10/15/22
CAD File Name LW VSK 10.15.22 v2022.vwx		



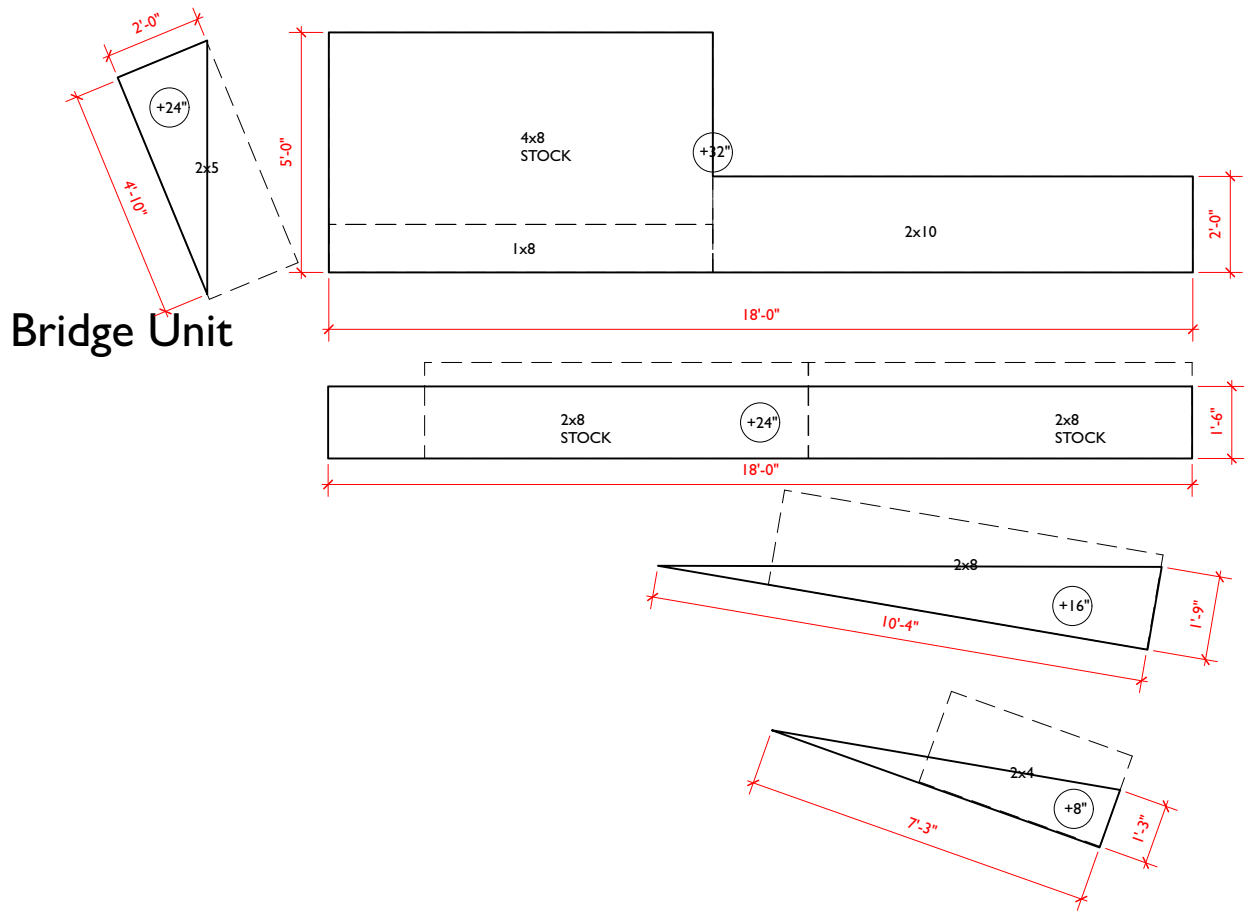
PARLOR UNIT



GP 2 Parlor Detail
Scale: 1/4" = 1'-0"

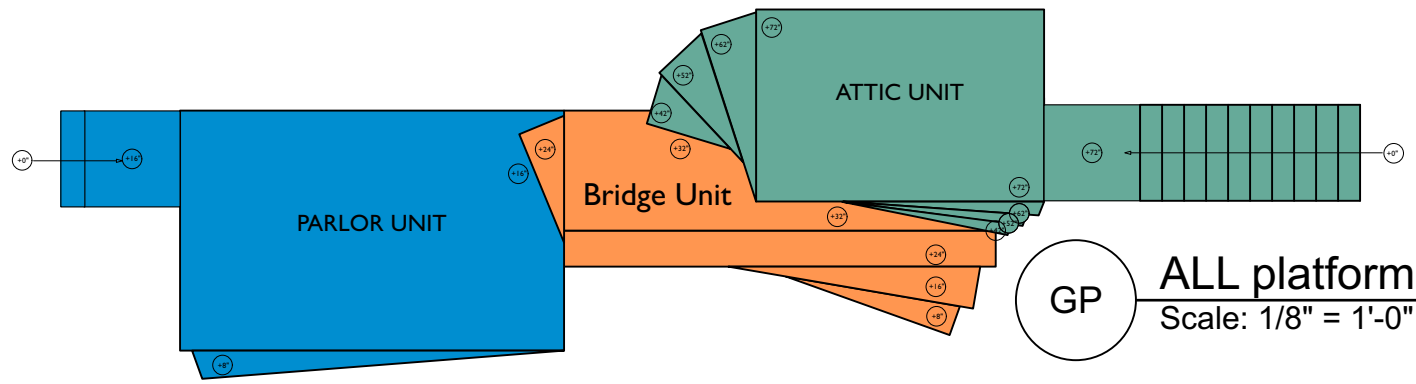


GP ALL platforms
Scale: 1/8" = 1'-0"

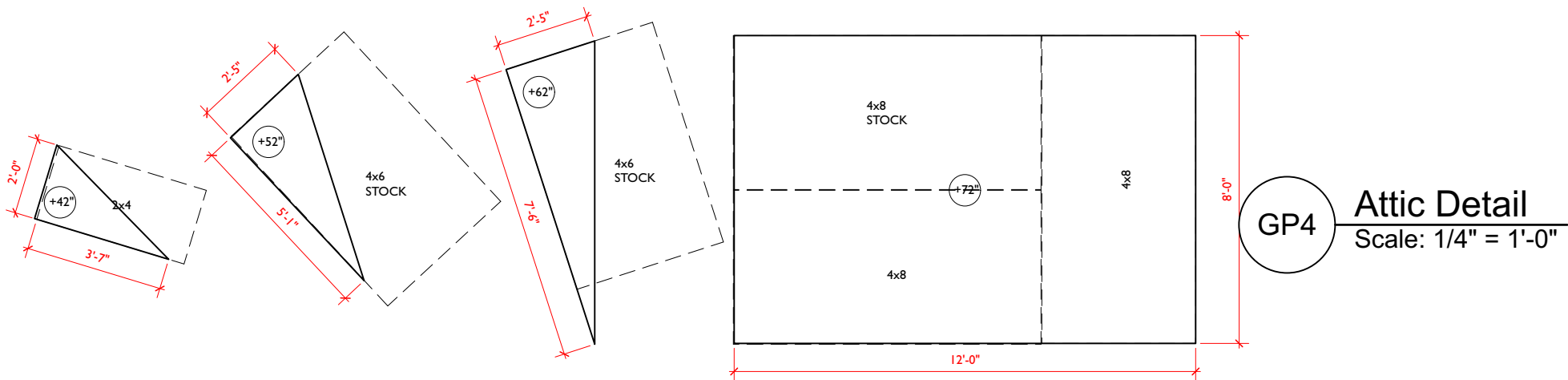


Bridge Unit

GP3 Bridge Detail
Scale: 1/4" = 1'-0"

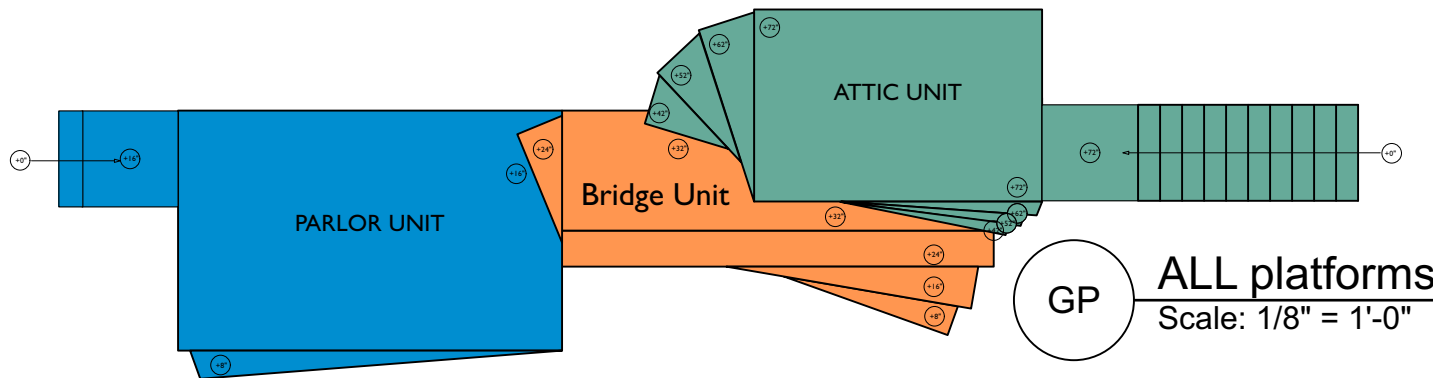
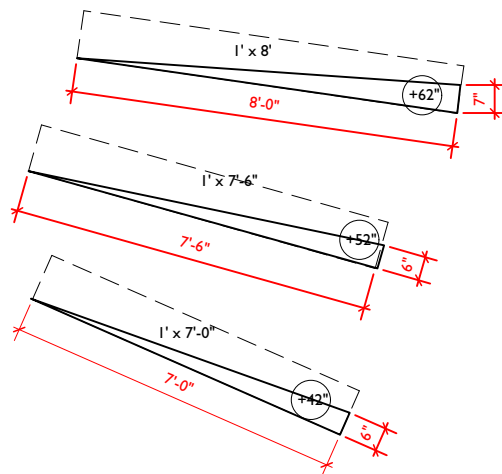
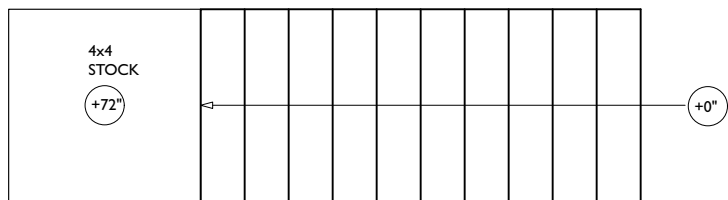


GP ALL platforms
Scale: 1/8" = 1'-0"



Attic Detail
Scale: 1/4" = 1'-0"

ATTIC UNIT



ALL platforms
Scale: 1/8" = 1'-0"